



# SPRAT

THE JOURNAL OF THE G QRP CLUB

DEVOTED TO LOW POWER COMMUNICATION

Index

© G-QRP-CLUB

ISSUES 1 to 119

## Topics:

- ◆ ATU's and Accessories.
- ◆ Antennas
- ◆ Accessories.
- ◆ Reviews
- ◆ TenTec
- ◆ General Modifications
- ◆ Heathkit
- ◆ Misc. Topics
- ◆ Morse Keys mainly Electronic
- ◆ Photocall
- ◆ Receiver Topics
- ◆ Transmitter Topics
- ◆ Transceiver Topics
- ◆ SPRAT Errata Database

Author: Tony G4WIF


❗ - Indicates a correction in a later SPRAT

## ATU's and Accessories

| Title  | Author              | Callsign | Sprat | Page |
|--|---------------------|----------|-------|------|
| ATU UNIT FOR THE HW7                         | KEITH SIMPSON       | G4DQF    | 2     | 12   |
| THE ROCK -O-NATOR                            | C.ROCKEY            | W9SCH    | 3     | 16   |
| TAKING THE MISTERY OUT OF ATU'S              | GUS TAYLOR          | G8PG     | 6     | 9    |
| SIMPLE ATU FOR QRP TRANSMITTERS              | HA-JO BRANDT        | DJ1ZB    | 7     | 4    |
| ATU  | JOHN WHITE          | G4BCY    | 10    | 8    |
| QRP SWR INDICATOR                            | GEORGE DOBBS        | G3RJV    | 12    | 11   |
| THREE WAY ATU❗                               | RON HOWE            | G3PLB    | 12    | 6    |
| SUGGESTED ATU                                | DAVE DABINETT       | G4DEP    | 18    | 14   |
| WATTMETER                                    | GEORGE BURT         | GM3OXX   | 22    | 13   |
| QRP Z MATCH ATU                              | GEORGE BURT         | GM3OXX   | 25    | 14   |
| NO COST ATU                                  | TONY HAAS           | G4LDY    | 28    | 5    |
| BREN TX ATU                                  | COLIN TURNER        | G3VTT    | 32    | 6    |
| TUNED BULAN ATU                              | ALAN CHESTER        | G3CCB    | 33    | 3    |
| SENSITIVE MICROWATT METER                    | WES HEYWARD         | W7ZOI    | 38    | 3    |
| SWITCHED ALL BANDS QRP Z MATCH               | FRANK LEE           | G3YCC    | 38    | 5    |
| BENELUX QRP CLUB ATU                         |                     |          | 40    | 9    |
| ANTENNA CHANGEOVER                           | GUNTER DENGLER      | DL1HS    | 41    | 17   |
| ATU FOR THE FOXX TRANSEIVER                  | DONALD YOUNGER      | W2JEK    | 45    | 8    |
| 3 WATTS OUTPUT METER                         | D.PLUMBRIDGE        | G3KMG    | 47    | 13   |
| QRP POWER METER FOR THE HF BANDS             | IAN BRAITHWAITE     | G4COL    | 48    | 18   |
| WELZ POWER METER                             |                     |          | 50    | 5    |
| A RESISTIVE BRIDGE                           | BYRON C WEAVER      | WU2J     | 51    | 23   |
| 50 MHZ REFLECTOMETER/ATU                     | BRIAN               | G3SYN    | 54    | 27   |
| ONER AERIAL CHANGEOVER UNIT                  | IAN KEYSER          | G3ROO    | 56    | 3    |
| A RELATIVE S METER AND POWER METER           | BILL BARTLETT       | G4KIH    | 57    | 8    |
| SENSITIVE FIELD STRENGTH METER               |                     | G4VSO    | 58    | 5    |
| A BI-DIRECTIONAL INLINE WATTMETER            | DAVID STOCKTON      | G4ZNQ    | 61    | 12   |
| A BATTERY AND SWR INDICATOR WITH A DUO-L     | MATHEUS VOLKERT     | DF4SQ    | 63    | 26   |
| A QRP DUMMY LOAD IN SMD                      | BILL MOONEY         | G3VZU    | 65    | 12   |
| A.T.U. FOR NOVICE                            | DAVE GOSLING        | GØNEZ    | 68    | 33   |
| A REAL QRPp VSWR METER                       | HA_JO BRANDT        | DJ1ZB    | 69    | 7    |
| FURTHER NOTES ON THE QRPp VSWR METER         | HA-JO BRANDT        | DJ1ZB    | 71    | 15   |
| NO COST ATU MKII                             | GUSTAV MICHALIK     | DL6FBQ   | 71    | 10   |
| THE SUPER TEE ANTENNA TUNER                  | D.A. MICHAEL        | W3TS     | 72    | 8    |
| HF SINGLE COIL 'Z' MATCH ATU                 | PETER LINSLEY       | G3PDL    | 76    | 17   |
| YALATU (YET ANOTHER L ATU)                   | PETER BRODRIBB      |          | 76    | 21   |
| A ONE KNOB ATU & SWR BRIDGE                  | NIGEL GOLDSTRAW     | GØDTQ    | 77    | 10   |
| ALTERNATIVE CORES FOR THE STOCKTON WATTMETER | MIKE CZUHAJEWSKI    | WA8MCQ   | 77    | 11   |
| A QRP ANTENNA TUNER                          | ERNEST M HELTON     | W8MVN    | 78    | 17   |
| THE G4RGN "ZZ" A.T.U.                        | DOUG GIBSON         | G4RGN    | 78    | 9    |
| ANOTHER Z MATCH                              | ROBERT VAN DER ZAAL | PA3BHK   | 86    | 14   |
| AN IMPROVED ROCK-O-NATOR ATU                 | CHAS BRYANT         | GW3SB    | 88    | 15   |
| LIPSTICK NO COST ATU                         | ALAN GRAY           | G4UEC    | 89    | 8    |
| A VERSATILE PEAK OUTPUT POWER UNIT           | A.W.McNEIL          | G3FCK    | 90    | 8    |
| THE ONER STOCKTON WATTMETER                  | DICK PASCOE         | G0BPS    | 91    | 18   |
| SIMPLE LED SWR BRIDGE                        | JOHN YOUNG          | G0WQR    | 93    | 15   |
| A CLASSIC Z MATCH ATU                        | GEORGE DOBBS        | G3RJV    | 94    | 14   |
| IMPROVED MINI-ATU                            | HA-JO BRANDT        | DJ1ZB    | 94    | 25   |

|   |                     |             |     |    |
|---|---------------------|-------------|-----|----|
| A BALUN FOR THE LDG AUTOMATIC TUNER                   | P.F.LINSEY          | G3PDL       | 96  | 19 |
| A KISS HF OSCILLATOR FOR TEST APPLICATIONS            | A.W.McNEIL          | G3FCK       | 96  | 20 |
| A QUIET TUNER [BASED ON THE STOCKTON BRIDGE]          | TONY LYMER          | GM0DHD      | 97  | 12 |
| IMPROVED MINI-ATU                                     | HA-JO BRANDT        | DJ1ZB       | 97  | 11 |
| LDG TUNER BALUN UPDATE                                | FRANK BRUMBAUGH     | W4LJD       | 97  | 7  |
| A HIGHLY SENSITIVE ABSORPTION WAVE METER              | AAA TECHNICAL STAFF |             | 98  | 30 |
| THE LARKHALL - 3.5 TO 50 MHZ ANTENNA COUPLER          | TOM SORBIE          | GM3MXN      | 99  | 30 |
| A COMPACT DIRECTIONAL COUPLER FOR THE QUIET TUNER     | TONY LYMER          | GM0DHD      | 100 | 15 |
| A PRACTICAL Z-MATCH ATU                               | BEAR HORN           | LA4KG       | 102 | 18 |
| BALANCED ATU MOD                                      | TOM SORBIE          | GM3MXN      | 103 | 26 |
| GETTING TO GRIPS WITH YOUR FIRST EVER LONG WIRE       | AAA TECHNICAL STAFF |             | 104 | 28 |
| ATU COILS "TO SHORT OR NOT TO SHORT"?                 | AAA TECHNICAL STAFF |             | 104 | 30 |
| LOW PROFILE 160M ANTENNA                              | TERRY YOUNG         | K4KJP       | 106 | 27 |
| 5/8 <sup>th</sup> GP ANTENNAS FOR 20,15,10 & 6 METRES | STEVE ORTMAYER      | G4RAW       | 106 | 33 |
| HOME BREW LADDERLINE                                  | SEAB LYON           | AA1MY       | 107 | 7  |
| THE TRUE STORY OF LIMPY ARNOLD                        | GEERT               | G/PE3GRT/MM | 107 | 11 |
| FUN ON 'LONG WAVE' - BUT IS IT QRP?                   | STEVE RAWLINGS      | GW4ALG      | 107 | 18 |
| THE GIBRALTAR SPECIAL                                 | G. SMITH            | ZB2GS       | 107 | 28 |
| <a href="#">AN EFFECTIVE L-TYPE ATU</a> ⓘ             | JESPER FOGH BANG    | OZ1XB       | 108 | 18 |
| TOP BAND ANTENNA WITH REMOTE ATU                      | JESPER FOGH BANG    | OZ1XB       | 109 | 17 |
| ANTENNA CHANGE OVER CIRCUIT                           | ALAN UPTON          | G3UZU       | 110 | 19 |
| MULTIBAND LOFT ANTENNA FOR 40/20/15/17/10             | STEVE NICHOLS       | G0KYA       | 111 | 9  |
| SOME TOP BAND IDEAS                                   | PAT SMITH           | GW0VMR      | 111 | 11 |
| 20M QRP ANTENNA TUNER UNIT & 20M MINI LOADED DIPOLE   | GUIDO               | IK2BCP      | 111 | 15 |
| THE RE-PETE TUNER                                     | FRED BONAVIDA       | K5QLF       | 111 | 26 |
| THE CARLTON PORTABLE ANTENNA MATCHING UNIT            | STEVE RAWLINGS      | GW4ALG      | 114 | 3  |
| DIGITAL SWR DISPLAY FOR POWER METERS                  | ALAN ROWE           | M0PUB       | 114 | 9  |
| A TUNABLE BANDPASS FILTER FOR ALL BANDS               | TASA SINISA         | YU1LM       | 115 | 16 |
|   |                     |             |     |    |

| <h2>Accessories</h2>                           |                |          |       |      |
|--|----------------|----------|-------|------|
| Title  | Author         | Callsign | Sprat | Page |
| LOW POWER SWR INDICATOR                        | GEORGE DOBBS   | G3RJV    | 1     | 7    |
| <a href="#">PRODUCT DETECTOR FOR QRP USE</a> ⓘ | EDGAR JANES    | G2FWA    | 1     | 3    |
| VFO NETTING CIRCUIT                            | GORDON BENNET  | G3DNF    | 1     | 6    |
| CMOS FILTER                                    | GERRY FARRANCE | G3KPT    | 5     | 13   |
| POWER PACK FOR QRP WORK                        | GEORGE BURT    | GM3OXX   | 6     | 5    |
| ACTIVE FILTER                                  | GEORGE BURT    | GM3OXX   | 10    | 3    |
| CHEAP CW FILTER                                | DES VANCE      | GI3XZM   | 10    | 17   |
| QRP POWER PACK                                 | DUG WOODFORD   | G8IB     | 11    | 5    |
| PIN DIODE ATTENUATOR                           | IAN KEYSER     | G3ROO    | 12    | 13   |
| PORTATEST FOR /P WORK                          | GUS TAYLOR     | G8PG     | 12    | 13   |
| SIMPLE SPEECH PROCESSOR                        | M.SALMON       | G2CKM    | 12    | 6    |
| SIMPLE TRANSISTOR TESTER                       | L.IVIN         | G5IC     | 14    | 3    |
| MORE AUDIO FILTERS                             | DES VANCE      | GI3XZM   | 15    | 5    |
| MAX BOX - SURPLUS CRYSTAL CHECKER              | MAC McNEIL     | G3FCK    | 17    | 13   |
| CRYSTAL CALIBRATOR                             | DAVE POWELL    | G3ZXX    | 20    | 13   |
| 7 MHZ CRYSTAL BENDER                           | MIKE PRIOR     | G3XMI    | 21    | 13   |
| ODD FREQUANCY XTAL CALIBTATOR                  | COP MACDONALD  | VE1BFL   | 21    | 7    |
| ACTIVE AUDIO FILTER                            | HAROLD SMITH   | G3IVF    | 23    | 15   |

|   |                   |        |    |    |
|---|-------------------|--------|----|----|
| GDO   | IAN KEYSER        | G3ROO  | 24 | 14 |
| 20m DX SKED KEEPER  | DAVE SMITH        | G4JIM  | 26 | 7  |
| CRYSTAL AND FREQUENCY CHECKER   | CHRIS WARWICK     | G8DSO  | 29 | 10 |
| HIGH PERFORMANCE CW FILTER  | ED WETHERHOLD     | W3NQN  | 32 | 3  |
| HIGH IMPEDENCE DC VOLTMETER   | BRIAN BOOTH       | G3SYC  | 39 | 3  |
| CW CRYSTAL FILTER   | ADRIAN KING       |        | 45 | 3  |
| PEAK READING RF PROBE   | REG LYDDON        | G4ETJ  | 46 | 7  |
| HELPING HAND  | WALTER FARRAR     | G3ESP  | 48 | 22 |
| ROCK'S TEST BOX  | C.ROCKEY          | W9SCH  | 48 | 11 |
| SIMPLE SQUEEZE KEYER  | MATT VOLKERT      | DF4SQ  | 48 | 8  |
| HOOK ON SNIFFER   | RONNIE MARSHALL   | GM4JJG | 51 | 5  |
| A LINEAR SCALE CAPACITANCE METER  | DOUG GIBSON       | G4RGN  | 52 | 12 |
| ANTENNA RF CURRENT TRANSFORMER  | KEN MAXTED        | GM4JMU | 52 | 10 |
| HF BANDS CONVERTER FILTER   | IAN BRAITHWAITE   | G4COL  | 52 | 7  |
| PIN DIODE ATTENUATOR  | BILL WRIGHT       | G0FAH  | 52 | 8  |
| SUPER PORTABLE KEYER PADDLE   | BRUCE PRIOR       | VE7CKF | 52 | 13 |
| TOP BAND CONVERTER  | C.A. ROCKEY       | W9SCH  | 52 | 23 |
| UNIVERSAL SIDETONE MODIFICATION   | WALT LEGAN        | KA4KXX | 52 | 15 |
| REGENERATIVE AUDIO FILTER   | DEREK MONDAY      | G3HKD  | 53 | 9  |
| THE ONER V.F.O.   | IAN KEYSER        | G3ROO  | 53 | 4  |
| THE VFG SIDEKICK KEYER  |                   | G4VFG  | 53 | 10 |
| A TEETER-TOOTER LO FOR DC TRANSCEIVERS  | DOUG DEMAW        | W1FB   | 54 | 19 |
| AUTOMATIC T/R SWITCH  | MIKE KING         | G3MY   | 54 | 15 |
| BFO OSCILLATOR USING A MECH/CERAM FILTER  | JOHN BEECH        | G8SEQ  | 54 | 26 |
| ONE STACK C.W. FILTER   | ED WETHERHOLD     | W3NQN  | 54 | 20 |
| 100 KHZ CALIBRATOR  | BRIAN GIBBS       | G3MBN  | 55 | 13 |
| AF & CLIPPER FOR THE 10 TEC ARGOSY II   | BILL WRIGHT       | G0FAH  | 55 | 14 |
| SIMPLE SIDETONE   | PAUL HARRISON     | G4VAM  | 55 | 12 |
| STANDARD CAPACITOR 7 ELEMENT L,P,FILTERS  | ED WETHERHOLD     | W3NQN  | 55 | 13 |
| 75 OHM ATTENUATOR FOR 50 OHM  | GERALD STANCEY    | G3MCK  | 56 | 8  |
| A VERSATILE VXO   | FRANK LEE         | G3YCC  | 56 | 7  |
| HOME BREW DOIDE MIXERS  | ROBERT V D ZAL    | PA3BHK | 56 | 11 |
| TOWARD A MORE LINEAR DIODE TUNING   | GEORGE W. ALLEN   | NIBEP  | 56 | 12 |
| 74HC4066, A NOVEL LOW COST MIXER  |                   | DJ1ZB  | 57 | 18 |
| C.W. AUDIO FREQUENCY SHIFTER  | Carter, Bob       | G4VSO  | 57 | 14 |
| CRYSTAL CALIBRATOR  | C.D. HAWKINS      | G0CEU  | 57 | 28 |
| HI Z MIC ADAPTOR  | MIKE MICHAELS     | W3TS   | 57 | 18 |
| A TTL LOGIC PROBE   | KEN BUCK          |        | 58 | 6  |
| C.W. FILTER   | Brandt, Ha-Jo     | DJ1ZB  | 58 | 7  |
| G FILTERS   | ROY LEWALLEN      | W7EL   | 58 | 14 |
| THE BEST AUDIO FREQUANCY 4 SW RECEPTION   | GERD              | DJ4SB  | 58 | 7  |
| A POCKET BFO/CIO USING SMD  |                   |        | 59 | 13 |
| THE G5IC THRESHOLD GATE NOISE LIMITER   | GUS TAYLOR        | G8PG   | 59 | 14 |
| THE ONE FOR ALL BATTERY   | KEN CRAVEN        | G4LKP  | 59 | 21 |
| TWO TONE OSCILLATOR   | IAN KEYSER        | G3ROO  | 59 | 9  |
| A 7TH ORDER LOW PASS FILTER   | DAVID STOCKTON    | GM4ZNX | 62 | 14 |
| UNIVERSAL PSU   | MIKE KING         | G3MY   | 62 | 9  |
| A CHEAP VFO SOURCE FOLLOWER   | RONNIE MARSHALL   | GM4JJG | 63 | 18 |
| AUDIO PREAMP AND PASSIVE FILTER 4 NE602   | STEF NIEWIADOMSKI |        | 63 | 4  |
| SIMPLE ONE-TOROID AF FILTER   | JOHN T COLLINS    | KN1H   | 63 | 11 |
| THE DISCO DISPLAY   | A.W. McNEIL       | G3FCK  | 63 | 12 |
| THE HUFF AND PUFF RE-VISITED  | STEF MIEWIADOMSKI |        | 63 | 20 |
| AN OSC IND FOR REGENERATIVE RECEIVERS   | RODNEY SEYMOUR    | G1TNE  | 64 | 25 |
| COIT AUDIO AMP  | MIKE KING         | G3MY   | 64 | 18 |
| CRYSTAL CHECKER   | MARTYN LINDARS    |        | 64 | 8  |
| QSK IDEAS   | BILL LEASK        | G4CEO  | 64 | 16 |
| SIMPLE ZENER TESTER   | MARTYN LINDARS    |        | 64 | 19 |
| WATCH IT-HUFF&PUFF REVISITED (PART 2)   | BASTIAN EDELMAN   | PA3FFZ | 64 | 13 |
| A LOW DRIFT, LOW DISTRIBUTION VFO   | JOHN R HEY        | G3TDZ  | 65 | 3  |

|  |                    |        |    |    |
|--|--------------------|--------|----|----|
| CW TRANSMITTER TESTER                              | STEF MIEWIADOMSKI  |        | 65 | 18 |
| HUFF AND PUFF REVISITED (3)                        | BASTIAN EDELMAN    | PA3FFZ | 65 | 26 |
| ROLLER COASTER TURNS INDICATOR                     | STEPHEN PUTMAN     | N8ZR   | 65 | 11 |
| A SIMPLE GDO COIL COUPLER                          | Marshall, Ronnie   | GM4JJG | 66 | 12 |
| CW FILTER REVISITED                                | Edelman, Bastian   | PA0FFZ | 66 | 19 |
| G4ERA AUDIO CW FILTER                              |                    |        | 66 | 26 |
| NEAPOLITAN SMD VFO KIT                             | George DobbS       | G3RJV  | 66 | 16 |
| 24 VOLT RELAYS ON 12 VOLTS                         | JOHN HALIBURTON    | GM4AQO | 68 | 24 |
| G FILTERS A PRACTICAL LOOK                         | FRANK LEE          | G3YCC  | 68 | 31 |
| THE FREQUENCY ADAM                                 | KEN RUIZ           | G4SGF  | 68 | 8  |
| A WIDE RANGE 80MTR VFO                             | HA-JO BRANDT       | DJ1ZB  | 70 | 16 |
| SIMPLE CW FILTER                                   | PETER BRODRIBB     | G3ONL  | 70 | 11 |
| SIMPLE LINEAR PA FOR 160-10M                       | LEN DIXON          | G3XXQ  | 70 | 7  |
| A FET VOLTMETER                                    | KEN BUCK           |        | 71 | 20 |
| IMPROVED RF SNIFFER                                | RONNIE MARSHALL    | GM4JJG | 71 | 16 |
| S METER DRIVER                                     | DEREK MONEY        | G3HKD  | 71 | 10 |
| A SIMPLE RF DETECTOR                               | ANDY STAFFORD      | G4VPM  | 72 | 13 |
| INDUCTANCE METER                                   | DOUGLAS GIBSON     | G4RGN  | 72 | 6  |
| WIDE RANGE VXOs for 80 40 20m and 10               | ANGEL GERASIMOV    | LZ1SM  | 72 | 26 |
| A SIMPLE FREQUENCY COUNTER FOR DC RCVRS            | GRAHAM ADCOCK      | G4EUK  | 73 | 10 |
| JAW-TYPE CURRENT PROBE                             | Ha-Jo BRANDT       | DL1ZB  | 73 | 17 |
| 5 WATT LINEAR AMPS FOR THE WHITE ROSE              | JOHN R. HEY        | G3TDZ  | 74 | 4  |
| A CHEAP OSCILLATOR IDEA                            | DERRICK PRICE      | G3LYU  | 74 | 16 |
| A PCB PAD CUTTER                                   | ROY DEANE          | G4FQQ  | 74 | 21 |
| A SIMPLE CHANGEOVER SYSTEM FOR NOVICE USE          | DAVID GOSLING      | GØNEZ  | 74 | 10 |
| A SIMPLE SOLDERING AID                             | PETER BRODRIBB     | GØONL  | 74 | 19 |
| Q-METER OR SIMPLE COIL MEASURING CIRCUIT           | JAN-MARTIN NOEDING | LA8AK  | 74 | 16 |
| SUPERIOR 7mhz CONVERTER FOR THE WHITE ROSE         |                    |        | 74 | 3  |
| THE PUFFER   | WALTER FARRAR      | G3ESP  | 74 | 12 |
| A SIMPLE SPEECH PRE-AMP AND CLIPPER                | ROD CRADDOCK       | GW4SLK | 75 | 25 |
| A STABLE RELAY SWITCHED VFO                        | FRANK LEE          | G3YCC  | 75 | 16 |
| COIL WINDING AID                                   | ROY SMITH          | GØIWU  | 75 | 25 |
| REDUCING ICOM RIGS TO QRP POWER                    | FRED BONAVITA      | W5QJM  | 75 | 24 |
| SIMPLEST DIAL AND DRIVE                            | LEN                | G3XXQ  | 75 | 19 |
| SOLAR PANEL AND BATTERY MONITOR                    | JOHN PEARS         | GØFSP  | 75 | 17 |
| WHITE ROSE DIGITAL DISPLAY                         | JOHN R HEY         | G3TDZ  | 75 | 3  |
| A 10.7MHZ SSB GENERATOR                            | DEREK PEARSON      | G3ZOM  | 76 | 24 |
| A DSB GENERATOR USING THE NE602                    | GRAHAM ADCOCK      | G4EUK  | 76 | 9  |
| DUAL BAND XL MIXER FOR THE CHERITON TRANSCEIVER    | GRAHAM ADCOCK      | G4EUK  | 76 | 4  |
| FREQUENCY COUNTER USING THE 7224 CHIP              | JOHNNY APELL       | SM7UCZ | 76 | 12 |
| THE TOKY VFO                                       | KEN BUCK           |        | 76 | 15 |
| UB40 JIG - POORMAN'S SOLDERING AID                 | PETER McBEATH      |        | 76 | 20 |
| 40m FIXED CAPACITOR XO SWITCHING                   | MAC McNEIL         | G3FCK  | 77 | 16 |
| 7 BAND MIXER VFO                                   | IAN BROWN          | G3TLH  | 77 | 3  |
| QUICK DUMMY LOAD                                   | ALBERT HEYES       | G3ZHE  | 77 | 25 |
| SIMPLE AUDIO COMPRESSOR                            | RICHARD STOYLE     |        | 77 | 17 |
| SIMPLE HEADPHONE ADAPTOR FOR USE OF 'HI FI' PHONES | DAVID GOSLING      | GØNEZ  | 77 | 34 |
| THE TOM PSU  | KEN RUIZ           | G4SGF  | 77 | 7  |
| UNIVERSAL SEMI-QSK & SIDETONE BOARD                | JOHN EVERINGHAM    | G4TRN  | 77 | 19 |
| VERSATILE AMPLIFIER                                | FRANK LEE          | G3YCC  | 77 | 17 |
| VLFB SEQUENCE CW GENERATOR                         | JOSÉ DE TORO       | F1NTT  | 77 | 15 |
| A 50 MHZ EXCITER                                   | PETER BRODRIBB     | G3ONL  | 78 | 7  |
| A NO COST AUTOMATIC ATTENUATOR FOR TS120V          | DAVE EVANS         | G4YND  | 78 | 10 |
| A SIMPLE CRYSTAL TESTER ( 100KHZ - 20MHZ )         | JOHNNY APELL       | SM7UCZ | 78 | 9  |
| ALTERNATIVE CORES FOR THE STOCKTON WATTMETER       | MIKE CZUHAJEWSKI   | WA8MCQ | 78 | 10 |
| ANALOGUE SOLID STATE SPEECH RECORDER               | PAUL LOVELL        | G3YMP  | 78 | 3  |

|   |                   |              |    |    |
|---|-------------------|--------------|----|----|
| AUDIO PREAMP AND AUTOMATIC LEVEL CONTROL            | DICK PATTINSON    | VE7GC        | 78 | 15 |
| CERAMIC RESONATOR VARIABLE OSCILLATOR               | REV SUTER         | VK6SA        | 78 | 16 |
| SIMPLIFIED TEETER-TOOTER VXO FOR RIT                | MIKE CZUHAJEWSKI  | WA8MCQ       | 78 | 11 |
| A SIMPLE AUDIO "S METER"                            | MARCO ELEUTERI    | IKØVSV       | 79 | 22 |
| ANTI HISS IDEAS FOR LM386 AUDIO AMPLIFIERS          | DAVE REDFERN      | N4ELM        | 79 | 23 |
| CONTROLLED CHARGE SYSTEM FOR NICAD CELLS            | RUDI WOLF         | DL2RM        | 79 | 22 |
| A SIMPLE HELIPOT SUBSTITUTE                         | JOHN YOUNG        | G7BCJ        | 80 | 19 |
| INTERNAL EXTERNAL PTT SOCKET                        | JOHN BEECH        | G8SEQ/VK2XY  | 80 | 37 |
| TRANSMIT RECEIVE CHANGEOVER SWITCH                  | JOHN BEECH        | G8SEQ/VK2XYD | 80 | 37 |
| KK7B SPRAT TECH CARTOON #1 LO PHASE SHIFT NETWORK   | RICK CAMPBELL     | KK7B         | 81 | 20 |
| THE B.L.T. LINEAR AMPLIFIER                         | BYRON C WEAVER    | WU2J         | 81 | 18 |
| W3NQN SEVEN ELEMENT LOWPASS FILTER                  |                   |              | 81 | 35 |
| A 5 WATT AMPLIFIER FOR THE EPIPHYTE                 | DERRY SPITTLE     | VE7QK        | 82 | 18 |
| A VFO FOR THE EPIPHYTE                              | DOUG HENDRICKS    | K16DS        | 82 | 21 |
| QRP QSK CIRCUIT                                     | JOHN BEECH        | G8SEQ        | 82 | 37 |
| A DIGITAL DISPLAY FOR THE EPIPHYTE                  | DERRY SPITTLE     | VE7QK        | 83 | 22 |
| A LOW BUDGET HIGH PERFORMANCE CW AUDIO FILTER       | ROELOF BAKKER     | PAØRDT       | 83 | 20 |
| A POWER ATTENUATOR FOR HF USE                       | DAVE PENNY        | G3PEN        | 83 | 11 |
| LAKE AF2 AUDIO FILTER                               | FRANK GREENOUGH   | G4EHY        | 83 | 18 |
| SIMPLE MODS FOR THE KANGA FREQUENCY COUNTER         | FRANK GREENOUGH   | G4EHY        | 83 | 18 |
| TOROIDS FOR THE GM4JJG RF SNIFFER                   | C W HARLOW        |              | 83 | 18 |
| A NICAD CHARGER FROM THE CAR BATTERY                | NORMAN BONNETT    | DL6NEE       | 84 | 15 |
| AN RIT CIRCUIT                                      | TONY LANGTON      | GM4HTU       | 84 | 3  |
| BITE FOR THE QRP SPIRIT                             | GUIDO GIANNI      | HB9BQB       | 84 | 16 |
| BNC TO PL259 ADAPTER                                | ROBERT VAN ZAAL   | PA3BHK       | 84 | 14 |
| CLASS A BROADBAND AMPLIFIER                         | MARCO ELEUTERI    | IKØVSV       | 84 | 26 |
| FLEXIBLE IMPEDENCE MATCHING FOR W3NQN AUDIO FILTERS | DAVE PENNY        | G3PEN        | 84 | 25 |
| HIGH EFFICIENCY REVERSE POLARITY PROTECTOR          | LAURENCE FLETCHER | G4SXH        | 84 | 9  |
| DIRECT CONVERSION SIDETONE                          | DEREK MONEY       | G3HKD        | 85 | 17 |
| ELECTRET MICROPHONE AND VOGAD UNIT                  | WALTER FARRAR     | G3ESP        | 85 | 16 |
| HARMONIC OSCILLATORS WITHOUT INDUCTORS              | ANGEL GERASIMOV   | LZ1SM        | 85 | 10 |
| HF PRESELECTOR                                      | STEVE ORTMAYER    | G4RAW        | 85 | 36 |
| RF DECIBEL METER                                    | PHIL STEVENS      | G3SES        | 85 | 3  |
| FLOAT CHARGED BATTERY AS A POWER SUPPLY             | MICHAEL COVINGTON | N4TMI        | 86 | 22 |
| NOVEL CRYSTAL GRINDING MONITOR                      | JIM               | NØOCT        | 86 | 16 |
| TWO SIMPLE HF CRYSTAL OSCILLATORS                   | MARCO ELEUTERI    | IKØVSV       | 86 | 17 |
| TETRODE/PENTODE RESONANCE MONITOR                   | DUNCAN CADD       | GØUTY        | 87 | 15 |
| A SPECTRUM WAVEMETER ⓘ                              | TONY FISHPOOL     | G4WIF        | 87 | 17 |
| MINI CRYSTAL CHECKER / XCO                          | A.W. MCNEILL      | G3FCK        | 89 | 3  |
| QUICK POWER SUPPLY                                  |                   |              | 89 | 34 |
| 73 KHZ OSCILLATOR                                   | STEVE ORTMAYER    | G4RAW        | 90 | 35 |
| AN ACTIVE LOOP ANTENNA FOR 73KHZ                    | BERT KRUYSWIJK    | PA3FSC       | 90 | 3  |
| AN IMPROVED LF BALANCED MIXER                       | JOHN HEY          | G3TDZ        | 90 | 22 |
| HOW TO LOSE YOUR MEMORY                             | REG MOORES        | G3GZT        | 90 | 25 |
| LEMON JUICE SIDETONE                                | LES JACKSON       | G4GLJ/G4HZJ  | 90 | 12 |
| DESTROY SUBHARMONIC RESONANCES IN TRANSISTOR PA     | Ha-Jo BRANDT      | DJ1ZB        | 91 | 6  |
| PARRALLEL SMALL-SIGNAL BJTs FOR MORE POWER          | DOUG DEMAW        | W1FB         | 91 | 25 |
| RF SNIFFER  | STEVE ORTMAYER    | G4RAW        | 91 | 34 |
| A HIGH STABILITY OSCILLATOR UNIT                    | RAY LOVELAND      | G2ARU        | 92 | 19 |
| AN ADD-ON AUDIO TAILORING CIRCUIT                   | KIMON NICOLAIDES  | G4WQX        | 92 | 27 |
| DISCONTINUOUS DIRECTIONAL RING RADIATOR ANTENNAS    | COLEN HARLOW      | G8BTK        | 92 | 36 |
| MORSE OSCILLATOR                                    | STEVE ORTMAYER    | G4RAW        | 92 | 35 |
| BEAT FREQUENCY OSCILLATOR IN SARDINE CAN            | STEVE ORTMAYER    | G4RAW        | 94 | 34 |

|  |                  |              |     |    |
|--|------------------|--------------|-----|----|
| THE PEG-LEG GRIPPER  | KEN CRAVEN       | G4LKP        | 94  | 13 |
| A SIMPLE TUNE-UP AID   | JACK HOLSTEAD    | G3OZC        | 95  | 24 |
| A STEREO AUDIO FILTER  | H.C. SPENCER     | G6NA         | 95  | 13 |
| THE GADGET [3.5 - 18MHZ] DSB/CW MODULE                                 | JOHN SEAGAR      | G0UCP        | 95  | 11 |
| WIDE RANGE CRYSTAL CONTROL ON 80M                                      | WALTER FARRAR    | G3ESP        | 95  | 9  |
| MORE STEREO CW FILTER IDEAS  | H.C. SPENCER     | G6NA         | 96  | 15 |
| STEREO EFFECT FILTER   | MIKE HAUGRUND    | DF2OK        | 96  | 15 |
| SUPER WIDE RANGE VXO   | FRANCO AMBRI     | I4AFQ        | 96  | 11 |
| 34.575 HZ CRYSTAL FILTER FOR SSB                                       | JAN VERDUYN      | G0BBL        | 97  | 7  |
| DDS3 - 40MHZ DIRECT DIGITAL SYNTHESISER                                | MICK HODGES      | G4OPE        | 97  | 21 |
| A SIMPLE EASY BUILD BROADBAND AMPLIFIER                                | MARCO ELEUTERI   | IK0VSV       | 98  | 3  |
| THE DL-QRP-PA [9W ON A 1 INCH BOARD]                                   | PETER ZENKER     | DL2FI        | 98  | 12 |
| A 1KHZ PASSIVE AUDIO FILTER  | HA-JO BRANDT     | DJ1ZB        | 99  | 35 |
| A VXO FOR 136KHZ   | IAN BROWN        | G3TLH        | 99  | 8  |
| A SIMPLE RF SOURCE   | JIM BRETT        | G0TFP        | 100 | 14 |
| WEEKEND PROJECTS FOR QRPERS  | GEORGE DOBBS     | G3RJV        | 100 | 4  |
| CHANGE OVER CIRCUIT  | STEVE ORTMAYER   | G4RAW        | 101 | 35 |
| AN INDUCTANCE METER  | GORDEN POPE      | G3ASV        | 102 | 12 |
| THE ONE CORK PIN-OUT CHECKER   | DR. KEN CRAVEN   | G4LKP        | 102 | 13 |
| THE CHEAPEST SIDETONE  | ERIC VAN BREE    | PA9EVB       | 102 | 15 |
| MAKING SMALL BOXES FROM TINPLATE                                       | RONNIE MARSHALL  | GM4JJG       | 102 | 20 |
| A MICROPHONE TIP   | NEIL MACKINNON   | G4WAZ        | 103 | 7  |
| PEG GRIPPER & TESTER   | KEN CRAVEN       | G4LPK        | 103 | 14 |
| NO COST FIELD STRENGTH METER   | JOHN GARDNER     | GW4KVI       | 103 | 26 |
| MISERS ANTENNA ANALYSER  | GERALD STANCEY   | G3MCK        | 103 | 8  |
| A 0 - 15 dB ATTENUATOR   | MALCOLM EALES    | M0AJL        | 104 | 12 |
| A MODERN THERMOCOUPLE AMMETER  | DAVID A.REID     | PA3HBB/G0BZF | 104 | 25 |
| NICAD CHARGER  | STEVE ORTMAYER   | G4RAW        | 104 | 35 |
| EASYDIP  | HARRY FROGATT    | G3SOX        | 105 | 11 |
| THE TUNING WAND  | BILL COOPER      | G4CIA        | 106 | 14 |
| MORSE OSCILLATOR   | STEVE ORTMAYER   | G4RAW        | 107 | 33 |
| LED RF TEST PROBE  | GEORGE BURT      | GM3OXX       | 108 | 9  |
| AN ISLAND PUNCH  | WYNN HIRST       | G3YXK        | 108 | 10 |
| SIMPLE NiMH CHARGER  | FRASER ROBERTSON | G4BJM        | 108 | 23 |
| THE FIVE MINUTE TOUCH TUNE FOR FT817                                   | PAUL WEBB        | M0BMN        | 109 | 12 |
| MICROCONTROLLER FT817 TUNING ASSISTANCE                                | PAUL WEBB        | M0BMN        | 109 | 13 |
| LED RF TEST PROBE - TIP  | MEL              | G0GQX        | 109 | 28 |
| A SIMPLE L/C BRIDGE  | DAVID PORTER     | G0UTF        | 110 | 3  |
| COMPARATIVE DEVIATION METER  | RODNEY           | G7OLE        | 110 | 34 |
| LAMBDA OSCILLATOR AS A SIMPLE SUBSTITUTE FOR A DIP METER. ⓘ            | BOZIDAR PASARIC  | 9A2HL        | 111 | 4  |
| A VERSATILE TEST OSCILLATOR  | IVOR BOLTON      | G3JES        | 111 | 10 |
| QRP ZERO BEAT INDICATOR FOR THE ELECRAFT K2 (AND OTHER TRANSCEIVERS) ⓘ | SVERRE HOLM      | LA3ZA        | 111 | 17 |
| LOW PASS FILTER FOR 5MHz BAND TRANSMITTER                              | TONY LYMER       | GM0DHD       | 113 | 8  |
| AN UGLY CONSTRUCTION WORKBENCH   | STEVE RAWLINGS   | GW4ALG       | 115 | 8  |
| NOTES ON THE SM3CLA RF CW MONITOR                                      | HA-JO BRANT      | DJ1ZB        | 115 | 11 |
| 12BH7A SINGLE PUSH PULL AUDIO AMPLIFIER                                | HEHIKO KOMACHI   | JA9MAT       | 117 | 20 |
| VARIABLE POWER SUPPLY FOR KENWOOD TS430S                               | KEN GREENOUGH    | G0WBM        | 117 | 21 |
| THE QRP+ COMPANION   | ROY WALKER       | G0TAK        | 117 | 22 |
| USING ELECTRIC LAMPS AS RF INDICATORS                                  | GUS TAYLOR       | G8PG         | 117 | 28 |
| TWO SMALL TIPS FOR SPRAT READERS                                       | GEORGE WOODWORTH | GW4ZAG       | 117 | 31 |
| TWIN QRP RF METER  | JIMMY BOLTON     | G3HBN        | 119 | 11 |
|  |                  |              |     |    |

# Antenna Topics

| Title   | Author          | Callsign | Sprat | Page |
|---|-----------------|----------|-------|------|
| IMPROVING SHORT LF ANTENNAS                                 | GUS TAYLOR      | G8PG     | 2     | 5    |
| LOOP AND LEG ANTENNA  | GORDON BENNET   | G3DNF    | 8     | 9    |
| PORTABLE WHIP ANTENNA                                       | G.WHEELER       | G3ZOF    | 17    | 15   |
| ZL SPECIAL  | GUS TAYLOR      | G8PG     | 19    | 15   |
| QRP VERTICAL ANTENNA  | RALPH BURCH     | W8LCU    | 20    | 17   |
| MINI LOOP   | PETER DOUDERA   | OK1DKW   | 21    | 8    |
| 20m ASYMETRICAL ANTENNA                                     | F.HANDSCOMBE    | G4BWP    | 22    | 14   |
| RHOMBIQUAD (ANTENNA)  | IAN KEYSER      | G3ROO    | 22    | 10   |
| DOUBLE D BEAM   | PETER DODD      | G3LDO    | 23    | 10   |
| HB9CV 2 ELEMENT BEAM  | PETER DOUDERA   | OK1DKW   | 23    | 14   |
| DOUBLE INVERTED VEE   | TIM COOK        | G5DEH    | 24    | 12   |
| RIZZOU ANTENNAS   | ANDY            | WB2RZU   | 24    | 11   |
| CAPACITIVE TUNING FOR LOOP ANTENNAS                         | HA-JO BRANDT    | DJ1ZB    | 25    | 8    |
| SLOPER SYSTEM   | CHRIS PAGE      | G4BUE    | 25    | 3    |
| KITE ANTENNA  | ROY ROWNTREE    | G3ZQA    | 27    | 8    |
| PHASED VERTICLES FOR 15 AND 20m                             | JOHN HACKET     | LA2QAA   | 28    | 13   |
| FEEDING THE WHIP  | CHAS BRYANT     | GW3SB    | 30    | 8    |
| MORE ON THE DOUBLE D BEAM                                   | PETER DODD      | G3LDO    | 30    | 10   |
| SLED KITE ANTENNA   | ROY ROWNTREE    | G3ZQA    | 30    | 5    |
| 15m MONOBAND YAGI   | FRANK LEE       | G3YCC    | 31    | 7    |
| 3 BAND MINI GROUND PLANE                                    | STAN WALKER     | G3MPW    | 31    | 4    |
| SKELETON CONE ANTENNA                                       | BOB SPIDEL      | W6SKQ    | 34    | 16   |
| 15m HELICAL ANTENNA   | BEN JOHANSSON   | CT4CH    | 36    | 10   |
| SCOTSMAN'S 3 BANDS ANTENNA                                  | TOM SORBIE      | GM3MXN   | 37    | 13   |
| SPIDER QUAD   | BOB SPIDELL     | W6SKQ    | 37    | 14   |
| HORIZONTAL BEAMS  | BRICE ANDERSON  | W9PNE    | 38    | 6    |
| MORE IDEAS ON SHORTENED DIPOLES                             | BEN JOHENSSON   | CT4CH    | 38    | 14   |
| 3 BAND V BEAM   | JOHN HACKET     | LA2QAA   | 39    | 15   |
| 40m TOP LOADED VERTICAL                                     | BRICE ANDERSON  | W9PNE    | 40    | 9    |
| BOBTAIL CURTAIN   | JIM FITTON      | W1FMR    | 40    | 10   |
| END FED BRUCE ARRAY   | GORDON BENNET   | G3DNF    | 41    | 4    |
| MULTI-BAND DELTA LOOP                                       | P.SWARBRIDK     | G3ZGN    | 41    | 18   |
| SKELETON CONE REVISITED                                     | BOB SPIDELL     | W6SKQ    | 43    | 20   |
| SLOPER THAT NEEDS NO TUNING                                 | JERRY BARTACHEK | KDOCA    | 44    | 20   |
| TOAST RACK ANTENNA  | STEWART CAMERON | GM4UTP   | 45    | 18   |
| MAGNETIC DELTA LOOP ANTENNA                                 | UDO VELTEN      | DL1HCU   | 46    | 17   |
| 10m J POLE ANTENNA  | IAN KEYSER      | G3ROO    | 47    | 19   |
| SCHH.... QUIET 30m ANTENNA                                  | WD LAPPI        | WD4LOO   | 47    | 8    |
| <a href="#">FURTHER EVOLUTION OF THE DOUBLE D ANTENNA ⓘ</a> | PETER DODD      | G3LDO    | 49    | 14   |
| A Z MATCH UNIT  | DAVID JACKSON   | G4BYY    | 50    | 13   |
| HULA HOOP ANTENNA   | JOHN MCDONNELL  | G3DOP    | 50    | 16   |
| MEASUREMENT OF ANTENNA IMPEDANCE                            | G3LDO           | G3TML    | 50    | 22   |
| REDUCING NOISE ON 3.5 MHZ                                   | IAN GM4HBG GUS  | G8PG     | 50    | 27   |
| 14 MHZ MOBILE ROOFRACK ANTENNA                              | PETER DODD      | G3LDO    | 51    | 20   |
| A SMALL GARDEN AERIEL                                       | BILL BARTLETT   | G4KIH    | 52    | 19   |
| AN ALTERNATIVE PORTABLE ANTENNA                             | WES HEYWARD     | W7ZOI    | 52    | 13   |
| AN OMEGA MATCHED 14 MHZ MOBILE VERTICAL                     | PETER DODD      | G3LDO    | 52    | 22   |
| THE 'HOVER' LOOP ANTENNA                                    | MIKE KING       | G3MY     | 54    | 18   |
| CHEAP DIPOLE CENTRE PEICE                                   | WALTAR FARRAR   | G3ESP    | 55    | 7    |



|  |                      |        |    |    |
|--|----------------------|--------|----|----|
| TWO METRE CAR ANTENNA                          | UDO VELTEN           | DL1HCU | 55 | 20 |
| SWITCHED MULTI DIPOLES                         | DAVE RAYNER          | G4XNP  | 56 | 14 |
| PILLBOX SPECIAL                                |                      | G3LGX  | 57 | 13 |
| QRP MINI A.T.U.                                |                      |        | 57 | 3  |
| YET ANOTHER DOUBLE-D BEAM ANTENNA DESIGN       | PETER DODD           | G3LDO  | 57 | 16 |
| THEME AND VARIATIONS ON TWO WIRES              | BOB BROWN            | NM7M   | 58 | 20 |
| CLASSIC ANTENNA TUNER                          | C.F. ROCKEY          | W9SCH  | 59 | 15 |
| THE DJ4GA DISCONE ANTENNA ON 28MC/S            |                      |        | 59 | 28 |
| SHORT LOADED DIPOLES PROGRAM                   | DEREK WICKETT        | G4PXD  | 60 | 18 |
| THE ROCKLOOP FOR THE 15,20,30 METER BNDS       | C.F.ROCKEY           | W9SCH  | 60 | 15 |
| MAGNETIC LOOP ANTENNA                          | TOM SORBIE           | GM3MXN | 61 | 22 |
| FOLAWAY LOOP ANTENNA                           |                      |        | 62 | 3  |
| SUITCASE MAGNETIC LOOP FOR 40 - 20m            | DAVE ALLARDYCE       | DJ0PJ  | 63 | 19 |
| 10 FOOT LONG ANTENNA                           | GUS TAYLOR           | G8PG   | 64 | 4  |
| A TWO ELEMENT 50 MHZ BEAM                      | BRIAN BOOTH          | G3SYC  | 64 | 10 |
| MINI T-PEICE FOR DIPOLES                       |                      | G3FCK  | 64 | 25 |
| ROLLER COASTER TURNS INDICATOR                 | IAN BROWN            | G3TLH  | 64 | 26 |
| THE FD4 WINDOM                                 | TOM SORBIE           | GM3MXN | 64 | 24 |
| THE G3HQR 9-BAND HYBRID LOOP                   | ALEC ANDERSON        | GD3HQR | 64 | 20 |
| ANTENNA FOR 7 HF BANDS                         | GUS TAYLOR           | G8PG   | 65 | 10 |
| HYBRID PHASER                                  |                      | GD3HQR | 65 | 11 |
| A 7 MHZ MAG LOOP                               | BEN JOHENSSON        | SM6YF  | 66 | 19 |
| UP AND OUTER                                   | C.F. ROCKEY          | W9SCH  | 66 | 18 |
| W5HKA ANTENNA NOTE                             |                      |        | 66 | 26 |
| SHORT LINEAR LOADED HF ANTENNA                 | GUS TAYLOR           | G8PG   | 68 | 3  |
| SPACERS FROM BINDERS                           | DAVE GOSLING         | GØNEZ  | 68 | 14 |
| A FOUR BAND UP AND OUTER ANTENNA               | C.F. ROCKY           | W9SCH  | 69 | 16 |
| DIPOLE CENTRE INSULATOR                        | GERALD STANCEY       | GM3MCK | 69 | 9  |
| ONE ANTENNA FOR EVERY BAND ALMOST!!            | BILL WRIGHT          | G0FAH  | 70 | 12 |
| A BETTER MINI DIPOLE T PEICE                   | A.W. McNEILL         | G3FCK  | 71 | 18 |
| THE DOUBLET ANTENNA                            | FRANK LEE            | G3YCC  | 72 | 29 |
| THE PANTHER A COMMERCIAL ANTENNA               | GUS TAYLOR           | G8PG   | 72 | 37 |
| AN IMPROVED 7MHZ LOOP ANTENA                   | BEN JOHANSSON        | SM6YF  | 73 | 18 |
| THE GM4JMU SHORTENED 7MHz DIPOLE               | KEN MAXTED           | GM4JMU | 74 | 11 |
| A NINE BAND HELICALLY WOUND DOUBLET ANTENNA    | CONSTANTINE FERUGLIO | IV3VS  | 75 | 19 |
| THE LAZY H WORKS FOR ME                        | MIKE MICHAEL         | W3TS   | 75 | 9  |
| THE MARK II CROSSFIELD ANTENNA                 | ALEC ANDERSON        | GD3HQR | 75 | 10 |
| THE VE3FQW NINE BAND ZIG-ZAG ANTENNA           | TOM MEIN             | VE3FQW | 75 | 18 |
| CONVERTING YOUR W3EDP INTO AN 80M LOOP ANTENNA | DAVID GOSLING        | GØNEZ  | 77 | 34 |
| THE GWØNSR FOLDED MONOPOLE                     | TONY TUIITE          | GWØNSR | 77 | 20 |
| SOME IDEAS ON KITE CARRIED AERIALS             | OLIVER BORKOWSKI     | DF6MS  | 78 | 12 |
| THE GOSLING 8 BAND SMALL GARDEN ANTENNA        | DAVID GOSLING        | GØNEZ  | 79 | 19 |
| THE BEVERIDGEOVITCH ANTENNA                    | IGOR GRIGOROW        | RK3ZK  | 80 | 31 |
| END FEEDING A HALF WAVE WIRE VIA CO-AX         | LUTZ                 | DL2HRP | 81 | 27 |
| THE BOBTAIL                                    | MIKE                 | GØROT  | 81 | 27 |
| THE MAY SPECIAL                                | HA-JO BRANDT         | DJ1ZB  | 83 | 27 |
| AN ACTIVE HF RECEIVING ANTENNA                 | JOHN YOUNG           | G7BCJ  | 84 | 24 |
| LOOP THE LOOP WITH AAA                         |                      | G4VPF  | 84 | 33 |
| THE PYTHAGORAS MEGA-KIT                        | MARK PALMER          | GØOIW  | 84 | 18 |
| THE MOA SHORT SLOPER                           | MAX ALTMANN          | DJ7RU  | 85 | 30 |
| A LYNX CENTRE PIECE                            | M. A. EALES          | G7SGF  | 86 | 11 |

|   |                        |        |     |    |
|---|------------------------|--------|-----|----|
| FRANK'S MIGHTY MIDGET                                 | FRANK LEE              | G3YCC  | 86  | 27 |
| TEN THOUGHTS ABOUT ANTENNAS                           |                        |        | 86  | 28 |
| THE SOUTHEND SPECIAL                                  | AAA TECHNICAL STAFF    |        | 86  | 27 |
| SHORT LINEAR LOADED HF ANTENNA                        | JACK                   | GØDNC  | 87  | 28 |
| THE SWISS ANTENNA - GERMAN STYLE                      | LUTZ BERGNER           | DL2HRP | 87  | 28 |
| LA ANTENNE VERTICALE BOBINEE (7MHz)                   | ANDRE TART             | ON5UP  | 88  | 26 |
| THE G3WQW MINI DOUBLET                                |                        |        | 89  | 27 |
| THE SO-CALLED ARTIFICIAL EARTH                        |                        |        | 89  | 26 |
| THE W9BRD COMPACT LOOP                                | ROCKY                  | W9SCH  | 89  | 26 |
| A 1:1 OR 4:1 FERRITE ROD BALUN                        | F.G.STEWART            | G3WQW  | 90  | 26 |
| THE NIZHYN SPECIAL CO-AX FED WINDOM                   | PETER GRITSAY          | US1REO | 90  | 26 |
| A UBIQUITOUS L NETWORK                                | A.A.A. TECHNICAL STAFF |        | 91  | 26 |
| THE G2WI MULTI-BAND VERTICAL                          | JACK HOLSTEAD          | G3OZC  | 91  | 26 |
| W9SCH VERSION OF THE W9BRD COMPACT LOOP               | C.F.ROCKEY             | W9SCH  | 91  | 27 |
| A FEW THOUGHTS ON ANTENNA SUPPORTS                    | A.A.A. STAFF           |        | 92  | 28 |
| THE G3HBN COLLAPSIBLE LOOP COVERING 7 TO 30 MHZ       |                        |        | 92  | 29 |
| FACTORS AFFECTING THE EFFICIENCY OF THE DDR HULA-HOOP | GUS TAYLOR             | G8PG   | 93  | 28 |
| PUTTING A HALF SIZE G5RV ON 80M                       | M.A.EALES              | M0AJL  | 93  | 29 |
| PVC GUSHER ANTENNA MOUNT FOR DIPOLES                  | JOE EVERHART           | N2CX   | 93  | 15 |
| TESTS WITH AN END FED RESONANT FEEDLINE DIPOLE        |                        | AA6AX  | 94  | 29 |
| END FED HALF WAVE ANTENNAS FOR FIXED OR PORTABLE USE  | F.G.STEWART            | G3WQW  | 95  | 28 |
| THE G3WQW 80M TO 10M SINGLE TOROID COIL Z-MATCH       | F.G.STEWART            | G3WQW  | 95  | 29 |
| A SEVEN AND A HALF BAND 8 METRE LONG ANTENNA          | A.A.A. TECHNICAL STAFF |        | 96  | 29 |
| THE G3OEP ANTENNA                                     | DAVE BUDDERY           | G3OEP  | 96  | 28 |
| THE G4FBS LIGHT WEIGHT AERIAL TRAP                    | HORNDEAN D.A.R.C.      | G0FYX  | 96  | 16 |
| EXTRA LIGHT WEATHERPROOF DIPOLE SPACER                | BERT FROGATT           | G3SOX  | 97  | 17 |
| L-MATCH   | STEVE ORTMAYER         | G4RAW  | 97  | 35 |
| THE M0AJL MULTI-BAND VOLTAGE FED ANTENNA              | M.A.EALES              | M0AJL  | 97  | 28 |
| THE "GUTTERSNIPE" ANTENNA                             | DAVE LUNN              | G3LSL  | 98  | 29 |
| 6M ANTENNA  | BERND ZANDER           | DL6YCG | 98  | 31 |
| THE CUCKOO-KILLER                                     | DOUG GIBSON            | G4RGN  | 98  | 36 |
| PARKING LOT PORTABLE VERTICAL                         | SAM BILLINGSLEY        | AE4GX  | 99  | 18 |
| THE DRAINPIPE SPECIAL                                 | LEIGHTON SMART         | GW0LBI | 100 | 23 |
| HF ACTIVE ANTENNA FOR RECEPTION                       | MARCO ELEUTERI         | IK0VSV | 101 | 14 |
| LOADING A LONG WIRE WITH G3WQW's ATU                  | VICTOR BRAND           | G3JNB  | 101 | 25 |
| THE G3ESP 3.5 TO 28 MHZ FEEDER ANTENNA SYSTEM         | W. FARRAR              | G3ESP  | 101 | 27 |
| THE M0AJL COMPACT 5 BANDER                            | M.A.EALES              | M0AJL  | 101 | 26 |
| THE SEWERPIPE POLE                                    | JOHN CRAWLEY           | GM3LBX | 102 | 14 |
| A SIMPLIFIED MEANDER ANTENNA ONLY 6 FEET LONG         | A.A.A. TECHNICAL STAFF |        | 102 | 26 |
| THE G3GVY LOOP  | M.G. JAMES             | G3GVY  | 102 | 27 |
| A BACKPACKERS DIPOLE ANTENNA                          | IAN BUTTERWORTH        | G4BZO  | 104 | 9  |
| ANTENNA MOUNTING THROUGH A HOUSE ROOF                 | TOM SORBIE             | GM3MXM | 105 | 12 |
| <a href="#">THE ON5NO MOBILE ANTENNA</a> Ⓞ            | G. De SMEDT            | ON5NO  | 105 | 26 |
| THE GM3MXN MULTI BAND WINDOM                          | T. SORBIE              | GM3MXN | 105 | 28 |
| ST. LOUIS VERTICAL                                    | DAVE GAUDING           | NF0R   | 108 | 28 |
| A QRP MAGNETIC LOOP                                   | RAY GOFF               | G4FON  | 109 | 30 |
| MULTIBAND PORTABLE WHIP ANTENNA                       | MARCO ELEUTERI         | IK0VSV | 110 | 6  |
| AN END FED DIPOLE                                     | ANDREW SMITH           | G4OEP  | 110 | 12 |

|  |                  |        |     |    |
|--|------------------|--------|-----|----|
| A SIMPLE NVIS 2 BAND ANTENNA                                 | BERND ZANDER     | DL6YGG | 110 | 30 |
| THE "EIGHT ESSQUE" ANTENNA                                   | JOHN BEECH       | G8SEQ  | 110 | 34 |
| AN 80 AND 40 METER END-FED ANTENNA                           | E. VOELLER       | DL2QA  | 111 | 30 |
| A SINGLE FEED ANTENNA FOR 3.5 TO 21 MHz                      | JIM BRETT        | G0TFP  | 112 | 30 |
| 10 TO 20 METRE SHORT LOADED DIPOLE WITH 160 METRE ATTACHMENT | G.A. DAVEY       | G4XSM  | 114 | 28 |
| AN EXPERIMENTAL, MULTIBAND, PRE-TUNED, COAXIAL STUB ANTENNA  | GUS TAYLOR       | G8PG   | 115 | 30 |
| SARDINE RECEIVER ANTENNA                                     | DUNCAN WALTERS   | G4DFV  | 116 | 25 |
|  |                  |        |     |    |
| USING THE FT817 AND MIRACLE WHIP                             | TED LANDON       | G3MHT  | 118 | 16 |
| THE 20M HBA  | GOTTFRIED KLOYER | DL2MFJ | 118 | 18 |
| UNITENNA   | WOLF JUERGENS    | DL2WRJ | 119 | 12 |
| AN EXPERIMENTAL 20FT HIGH VERTICAL FOR 7MHZ                  | DESMONG VANCE    | G13XZM | 119 | 28 |
| THE LITTLE WIZARD  | ALAN TROY        | G4KRN  | 119 | 28 |
|  |                  |        |     |    |

## TenTec Topics

| Title                                   | Author          | Callsign | Sprat | Page |
|---|-----------------|----------|-------|------|
| 160m TRANSVERTER FOR THE ARGONAUT       | COLIN TURNER    | G3VTT    | 26    | 9    |
| VOLTAGE REGULATOR FOR THE ARGONAUT      | BRICE ANDERSON  | W9PNE    | 28    | 17   |
| ARGONAUT TRANSVERTER SWITCHING          | GEORGE DOBBS    | G3RJV    | 32    | 10   |
| CONVERTING THE ARGONAUT TO 160m         | S.MATTSON       | SM6AOQ   | 34    | 6    |
| ADDING 10 MHZ TO THE ARGONAUT           | GEORGE SCHOLTER | LX1BK    | 36    | 11   |
| FITTING AN ATTENUATOR TO THE ARGONAUT   | MARK GOODFELLOW | G4KUQ    | 37    | 9    |
| QRO WITH THE ARGONAUT                   | JACK McDERMOTT  | GI4NMZ   | 59    | 24   |
| ARGONAUT MODIFICATIONS                  | B.C. WEAVER     | WU2J     | 72    | 14   |
| ARGONAUT 509 RIT IMPROVEMENT            | ELMER VOLLER    | DL2QA    | 74    | 20   |
| TEN-TEC MAD VFO DISEASE - ANOTHER CAUSE | JOHN LIVINGSTON | G4FDD    | 98    | 18   |
| TEN-TEC MAD VFO DISEASE - MORE NOTES    | TED TROWELL     | G2HKU    | 98    | 18   |
| ATTENUATOR FOR THE ARGOSY               | TOM SORBIE      | GM3MXN   | 40    | 11   |
| ARGOSY BREAK-IN MODIFICATIONS           | BILL WRIGHT     | G0FAH    | 53    | 21   |
| MORE ARGOSY II MODIFICATIONS            | NEIL MACKINNON  | G4WAZ    | 64    | 27   |
| A QRP FREQUENCY COUNTER                 | OLIVIER ERNST   | F5LVG    | 107   | 12   |
|   |                 |          |       |      |

## Reviews

| Title                                 | Author               | Callsign | Sprat | Page |
|---------------------------------------|----------------------|----------|-------|------|
| WIFB's QRP NOTEBOOK                   |                      |          | 69    | 26   |
| LOW POWER COMMUNICATIONS VOL1         | RICHARD ARLAND       | K7YHA    | 71    | 28   |
| THE STORY OF THE KEY                  | LOUISE RAMSEY MOREAU | W3WRE    | 86    | 25   |
| DATA BOOK FOR HOMEBREWERS AND QRP ERS | PAUL HARDEN          | NA5N     | 87    | 10   |
| INTRODUCING QRP                       | DICK PASCOE          | GØBPS    | 87    | 34   |
| THE ELECRAFT KX1                      | PAUL BARLOW          | M0CDP    | 119   | 16   |
| K2 OR FT817?                          | JOHN TEAGUE          | G3GTJ    | 119   | 24   |
|                                       |                      |          |       |      |

# General Mods.

| Title   | Author                    | Callsign | Sprat | Page |
|---|---------------------------|----------|-------|------|
| TS120V MODIFICATION   | DOUG HILL                 | G3ZWH    | 28    | 18   |
| THREE BAND DC RECEIVER  | MARTYN LINDARS            |          | 35    | 3    |
| TOP 'N' EIGHTY DC CW RECEIVER   | PETER BRENT               | G4LEG    | 40    | 6    |
| AUDIO CW FILTER AND AMPLIFIER   |                           |          | 59    | 18   |
| TEST PROBE  | Rickett, W. J.            | G8LJO    | 61    | 24   |
| THREE BAND RF AMP FOR HW7 AND OTHERS  |                           |          | 73    | 26   |
| ADJUSTING THE POWER OUTPUT OF THE TS50  | DUNCAN CADD               | GØUTY    | 86    | 16   |
| TS50 ON 5 WATTS   | WALTER                    | G3ESP    | 87    | 26   |
| AF LOW PASS FILTER FOR THE GQ TRANSCEIVER (OR OTHERS)   | WOLF SCHWARZ              | DK4RW    | 88    | 23   |
| MODS FOR THE POPPET 160M AM TRASMITTER  | STEVE HARTLEY             | G0FUW    | 91    | 24   |
| MORE MILAGE FROM THE PIXIE  | GEORGE DAVIES             | G3ICO    | 92    | 25   |
| SOME NOTES ON THE GQ20 (OR GQ40)  | BERND SZYMANIAK           | DL7GK    | 92    | 24   |
| THE MALTA 20 - MODIFIED MODIFIED MALTA 40 (SPRAT 78)  | GUY WINANT                | ON6GW    | 92    | 16   |
| THE MALTA ON 20 METRES  | BOB BOWDEN                | G3IXZ    | 92    | 16   |
| UNBELIEVABLE RESULTS WITH A NORCAL - 40   | PETER ZENKER              | DL2FI    | 92    | 12   |
| A CW GENERATOR AND SIDETONE FOR THE EPIPHYTE  | DAVID BOWMAN              | G3LUB    | 93    | 14   |
| ADDING CW TO THE EPIPHYTE ⓘ   | GRAHAM FIRTH              | G3MFJ    | 93    | 12   |
| NOTES ON THE G3RJV SPRAT TRANSCEIVER  | H.F. Knott and Jim Walker |          | 94    | 20   |
| A LOUDER EPIPHYTE 2   | TONY FISHPOOL             | G4WIF    | 95    | 25   |
| MOTORS FOR DRIVING VARIABLE CAPACITORS  | BILL DURHAM               | G3DNE    | 95    | 25   |
| EPIPHYTE MK.2 - MODIFICATIONS   | ROGER POWELL              | G0AOZ    | 98    | 7    |
| HOT GLUE AIR WOUND COILS  | ALAN UPTON                | G3UZU    | 98    | 28   |
| LITTLE TIPS FOR THE FT7   | BERND ZANDER              | DL6YCG   | 98    | 19   |
| QRP MOD FOR THE YAESU FT-747GX  | LEIGHTON SMART            | GW0LBI   | 98    | 20   |
| WEATHERPROOFING PL259   | RON WILSON                | G3DSV    | 98    | 28   |
| HOW TO GET FIVE WATTS FROM A TS50 WITHOUT INTERNAL MODS   | W.FARRAR                  | G3ESP    | 101   | 27   |
| SOME GENERAL MODIFICATIONS TO THE JBS TRANSMITTER   | GERALD STANCEY            | G3MCK    | 101   | 25   |
| TWO MODS FOR THE TCF AND COMPUTAROCK  | K.P.S. KANG               | VU2OWF   | 104   | 10   |
| THE QRP+ & LOG-EQF AND ANOTHER QRP+ MOD   | ROY WALKER                | G0TAK    | 104   | 26   |
| SPLIT-FREQUENCY ADDITION FOR VFO Tx/Rx  | STEVE TAYLOR              | G4EDG    | 105   | 14   |
| ANOTHER VXO CIRCUIT   | PAUL DEBONO               | 9H1FQ    | 105   | 15   |
| RECEIEVER INPUT FILTERS   | MARCO ELEUTERI            | IK0VSV   | 105   | 18   |
| EXTENDING CRYSTAL PULLING RANGE   | IAN BRAITHWAITE           | G4COL    | 107   | 4    |
| DESTROY SUBHARMONIC RESONANCES IN TRANSISTOR PA CIRCUITS - PART II - OR HELP FOR TENTEC 1320/30/40? | HA-JO BRANDT              | DJ1ZB    | 107   | 9    |
| RF ATTENUATOR FOR MFJ CUB   | JAN VERDUYN               | G0BBL    | 108   | 8    |
| MODS FOR THE SUDDEN RX MK2  | MIKE McGRATH              | G8XLC    | 110   | 20   |
| CONVERT YOUR POWER METER TO READ PEP  | IAN KEYSER                | G3ROO    | 110   | 21   |
| HEPPING UP THE NE612 AND LM386  | BILL CURRIE               | VK2AWC   | 111   | 19   |
| CONVERTING THE 30M MFJ CUB TO VXO A CURE FOR DRIFT  | KEN MAXTED                | GM4JMU   | 112   | 14   |
| EPIPHYTE 3 MODIFICATIONS  | CLIVE HOLLINS             | M5CHH    | 112   | 26   |
| CONVERTING THE 20m MFJ CUB TO VXO OPERATION ⓘ   | IAN BRAITHWAITE           | G4COL    | 114   | 16   |
| ANOTHER MOD FOR THE QRP PLUS  | ROY WALKER                | G0TAK    | 114   | 24   |
| POLYCON SHATF PROBLEM SORTED  | VICTOR BRAND              | G3JNB    | 114   | 25   |
| USING PIN 7 OF THE LM386 TO REDUCE BCI AND ADD SIDETONE TO THE PIXIE 2                              | SVERRE HOLM               | LA3ZA    | 113   | 18   |
| RESULTS WITH THE SUPER VXO  | MIKE McGRATH              | G8XLC    | 115   | 4    |
| STABILITY IMPROVEMENT FOR THE HW8 VFO   | ANDREA INSOLERA           | I2IAL    | 115   | 22   |
| A CASCODE SINE WAVE OSCILLATOR IN SMD   | STEFAN PETROV             | LZ10V    | 117   | 3    |
| OVERTONE OSCILLATORS, THE EASY WAY  | JOHN HEY                  | G3TDZ    | 118   | 8    |

|                                  |                |        |     |    |
|----------------------------------|----------------|--------|-----|----|
| QRP CONTROL OF THE TS430         | EDDIE MCLEAN   | GM4EWM | 118 | 21 |
| SIMPLE VARICAP DIODE TUNING      | GEORGE BURT    | GM3OXX | 118 | 26 |
| THE LEDEKTOR 3                   | RUDI BURSE     | DK2RS  | 117 | 19 |
| A USEFUL RIT CIRCUIT FOR VXO USE | DUNCAN WALTERS | G4DFV  | 119 | 14 |
| A SIMPLE CRADLE FOR THE FT817    | CHAS WATKINS   | G3TTZ  | 119 | 26 |
|                                  |                |        |     |    |

| <h2>Heathkit</h2>                         |                     |          |       |      |
|---|---------------------|----------|-------|------|
| Title                                     | Author              | Callsign | Sprat | Page |
| IMPROVING THE HW7 - PART 1                | HA-JO BRANDT        | DJ1ZB    | 9     | 10   |
| IMPROVING THE HW7 - PART II               | HA-JO BRANDT        | DJ1ZB    | 10    | 5    |
| HW8 MOD                                   | JOHN SPINKS         | G4GIE    | 17    | 15   |
| SIMPLE HW8 MODIFICATIONS                  | TOM SORBIE          | GM3MXN   | 18    | 7    |
| THREE GOOD HW8 MODS                       | J.LIVINGSTONE       | GM4FDD   | 20    | 5    |
| HW8 RIT CONTROL                           | PETER SCHAUFEL      | HB9IK    | 23    | 9    |
| HW8 IMPROVEMENTS                          | MIKE PERRY          | PA3ASC   | 24    | 13   |
| COPYING THE HW8 - THE HMW8                | PAVEL CUNDERLA      | OK2BMA   | 28    | 14   |
| CONVERTING THE HW7 FOR 10 MHZ             | GEORGE SHCOLTER     | LX1BK    | 36    | 11   |
| HW8 MAC MOD SQUAD                         | KEN MAXTED          | GM4JMU   | 38    | 10   |
| 30m FOR THE HW8                           | HOWELL CHING        | KH6IJS   | 39    | 16   |
| HW8 'S' METER                             | BENELUX QRP CLUB    |          | 39    | 4    |
| A SELECTION OF HW9 MODIFICATIONS          | D.A. MICHAEL        | W3TS     | 55    | 10   |
| SINGLE SIGNAL SELECTIVITY FOR THE HW7     |                     | LX1BK    | 55    | 7    |
| PUTTING THE HW8 ON THE WARC BANDS         | BOB FOWLER          | G3IQF    | 57    | 10   |
| FILTER MODS FOR THE HW9                   | CAM HARTFORD        | N6GA     | 59    | 22   |
| UPGRADING THE HW7                         | JACK CLENNON        | G4ZQK    | 59    | 17   |
| STABLE VFO FOR HW9                        | TOM SORBIE          | GM3MXN   | 60    | 16   |
| DIGITAL READOUT FOR HW9                   | GEORGE SCHOLTES     | LX1BK    | 62    | 24   |
| CURING HW9 DRIFT                          | TOM SORBIE          | GM3MXN   | 64    | 21   |
| NEW LIGHT ON THE HW7 MODS                 |                     |          | 66    | 9    |
| MACMOD HW9 IMPROVEMENT                    | KEN MAXTED          | GM4JMM   | 67    | 10   |
| SIMPLE HW9 MODIFICATIONS                  | BERNHARD SZYMANIAK  | DL7GK    | 70    | 18   |
| AN HW9 SELECTIVITY IMPROVEMENT            | PAUL J. LEVESQUE    | KB1MJ    | 71    | 18   |
| IMPROVING THE OVERLOAD OF THE HW9         | IAN LISTON-SMITH    | G4JQT    | 72    | 17   |
| SIMPLE HW9 MODIFICATIONS                  | BERNHARD SZYMANIAK  | DL7GK    | 73    | 25   |
| BAD HW8 OUTPUT CORES                      | MICHAEL CZUHAJEWSKI | WA8MCQ   | 75    | 16   |
| MORE NOTES ON THE HW9                     | IAN BUTTERWORTH     | G4BZO    | 75    | 19   |
| HW7 RIT MODIFICATION                      | BOB LOWE            | ZL1AYN   | 78    | 14   |
| NOW YOU SEE IT - NOW YOU DON'T TUNING MOD | GUS TAYLOR          | G8PG     | 89    | 9    |
| HW8 AUDIO MATCHING FILTER GOES STEREO     | MALCOLM EALES       | M0AJL    | 99    | 13   |

| <h2>Kit Reviews</h2>                 |                |          |       |      |
|--------------------------------------|----------------|----------|-------|------|
| Title                                | Author         | Callsign | Sprat | Page |
| KITS (KIT REVIEW) THE KANGA VFO KIT. |                |          | 51    | 12   |
| VARIABLE OUTPUT FROM THE FT-7        | WALTER FARRAR  | G3ESP    | 76    | 16   |
| THE NORCAL-20 TRANSCEIVER KIT        | DOUG HENDRICKS | KI6DS    | 95    | 27   |
| FREQ-MITE                            | TONY FISHPOOL  | G4WIF    | 96    | 18   |

| <h2>Misc. Topics</h2> |        |          |       |      |
|-----------------------|--------|----------|-------|------|
| Title                 | Author | Callsign | Sprat | Page |

|   |                 |        |    |    |
|---|-----------------|--------|----|----|
| SHIFT THOSE ROCKS                       | GORDON BENNET   | G3DNF  | 3  | 7  |
| CRYSTAL POSSIBILITIES FOR QRP WORK      | HA-JO BRANDT    | DJ1ZB  | 5  | 7  |
| MAKE YOUR PM3A INTO A PM3X              | GUS TAYLOR      | G8PG   | 7  | 10 |
| BROADBAND AMPLIFIER AND DRIVERS         | HA-JO BRANDT    | DJ1ZB  | 8  | 5  |
| BROADBAND PA FOR 20 METRES              | HA-JO BRANDT    | DJ1ZB  | 9  | 19 |
| COHERENT CW - PART 1                    | JOHN STOCKLEY   | G3FMW  | 10 | 5  |
| COHERENT CW - PART II                   | JOHN STOCKLEY   | G3FMW  | 11 | 6  |
| THRESHOLD GATE NOISE LIMITER            | L.IVIN          | G5IC   | 12 | 12 |
| CHEAP SSB GENERATOR                     | IAN KEYSER      | G3ROO  | 15 | 3  |
| QRP FINAL                               | BRICE ANDERSON  | W9PNE  | 16 | 9  |
| SOLAR POWER REGULATOR                   | JOHN            | W6PQZ  | 16 | 3  |
| HINTS ON MAKING PCBs                    | IAN KEYSER      | G3ROO  | 17 | 6  |
| MILLIWATTS FROM AN ARGONAUT             | CHRIS PAGE      | G4BUE  | 18 | 9  |
| INPUT V OUTPUT POWER STANDARDS          | ADE WEISS       | WORSP  | 19 | 3  |
| NOTES ON MILLIWATTS FROM AN ARGONAUT    | CHRIS PAGE      | G4BUE  | 19 | 11 |
| QRP ON 10m WITH A LINER TWO             | J.HARKIN        | GM4HBM | 19 | 11 |
| PA DESIGN IDEA                          | GEORGE BURT     | GM3OXX | 20 | 15 |
| PASS THAT BAND                          | DAVID REYNOLDS  | G3ZPF  | 20 | 16 |
| QRP SQUEEZE KEYSER                      | DAVE POWELL     | G3ZXK  | 20 | 7  |
| USING CHEAP OLD METERS                  | BRIAN CASTLE    | G4DYF  | 20 | 4  |
| RELAYLESS RIT                           | IAN KEYSER      | G3ROO  | 25 | 13 |
| CAPACITIVE TOUCH PADDLE                 | ROY LEWALLEN    | W7EL   | 26 | 10 |
| UNIVERSAL SIDETONE                      | WALT LEGAN      | KA4KXX | 27 | 3  |
| BASIC 160m CONVERTER                    | GEORGE DOBBS    | G3RJV  | 28 | 8  |
| CAPICITANCE TOUCH PADDLE                | BOB NEWSON      | G4EEM  | 28 | 10 |
| TRANSVERTER ⓘ                           | GEORGE BURT     | GM3OXX | 28 | 17 |
| SIDETONE OSCILLATOR                     | BILL COOPER     | G4CIA  | 29 | 9  |
| 128 SET FOR QRP                         | MARTIN SWAN     | G4LDG  | 30 | 4  |
| PROVEN MIXER CIRCUITS                   | MARTYN LINDARS  |        | 30 | 9  |
| 10 MHZ QUICKEE CONVERTER                | FRANK LEE       | G3YCC  | 31 | 17 |
| 10 MHZ TRANSVERTER                      | TOM SORBIE      | GM3MXN | 31 | 10 |
| VXO FOR THE 30m BAND                    | HA-JO BRANDT    | DJ1ZB  | 31 | 8  |
| QRP ON 10m FM                           | RICH ARLAND     | K7YHA  | 32 | 16 |
| ICOM ICB-1050 FOR 10m FM                | JOHN REYNOLDS   | G3PTO  | 34 | 7  |
| 10 MHz TRANSVERTER ⓘ                    | KEN MAXTED      | GM4JMU | 35 | 7  |
| FT7 MODIFICATION                        | COLIN TURNER    | G3VTT  | 35 | 17 |
| QRP TRANSMITTERS AND HARMONIC OUTPUT    | DOUG DEMAW      | W1FB   | 35 | 5  |
| WARC CONVERTER                          | HA-JO BRANDT    | DJ1ZB  | 35 | 9  |
| PLL CIRCUIT FOR SXI UPPER QRP CHANNELS  | GIG DRAGULESCUR | YO6HQ  | 36 | 6  |
| 50 OHM LOW PASS FILTERS FOR TRANSMITTER | ED WETHERHOLD   | W3NQN  | 37 | 10 |
| Q MULTIPLIER FOR THE DRAKE 2C           | COLIN TURNER    | G3VTT  | 37 | 12 |
| WIDE BAND UNTUNED PREAMP                | LEN COLLEY      | G3AGX  | 37 | 12 |
| CONVERTING THE LCL2740 CB TO 10m FM     |                 |        | 38 | 11 |
| IMPRESSIONS ON THE DSB80                |                 | EI7EH  | 38 | 16 |
| PREMIX VFO FOR 10 AND 14 MHz ⓘ          | MATT VOLKERT    | DF4SQ  | 38 | 12 |
| QRP DX FROM GRAND CAYMAN                | FRED BONAVIDA   | W5QJM  | 38 | 18 |
| RF FIRED CW MONITOR                     | DAVE DABINETT   | G4DEP  | 38 | 7  |
| MULTIBAND VFO                           | MIKE STAUNTON   | EI3DY  | 39 | 5  |
| RF ACTUATED CHANGEOVER SWITCH           | IAN BRAITHWAITE | G4COL  | 39 | 8  |
| YET ANOTHER 10 MHZ CONVERTER            | NOR McINTOSH    | GM3RKO | 39 | 17 |
| 40m VFO                                 | WES HEYWARD     | W7ZOI  | 40 | 3  |
| MODS TO THE IC720A FOR QRP OPERATION    | BRICE ANDERSON  | W9PNE  | 40 | 15 |
| SIMPLE PSU                              | B.GOODGER       | ZL2RP  | 40 | 5  |
| MODS AND IMPROVEMENTS TO THE TS 120V    | JOHN CROXFORD   | G3OIC  | 41 | 7  |
| RECEIVER OFFSET                         | DAVE LOGAN      | G4EZF  | 41 | 12 |
| BI-DIRECTIONAL MIXER                    | MIKE KOBLIC     | GW4GIU | 42 | 3  |
| DIGITAL READOUT FOR DC RIGS             | CHRIS BRYANT    | GW3SB  | 43 | 19 |
| RF RELAY DRIVER                         | MEL EVANS       | GM6JAG | 43 | 19 |
| DAYTON HAMVENTION 1985                  | CHRIS PAGE      | G4BUE  | 44 | 13 |
| DIODE PEAK DETECTOR FOR QRP             | GRAHAM LAMBERT  | ZS6HV  | 44 | 17 |
| HOWES RX ON MULTIBAND                   | MAC McNEIL      | G3FCK  | 44 | 7  |
| RE-USING OLD PANEL METERS               | DAVE LOGAN      | G4EZF  | 44 | 21 |
| 160m TRANSVERTER ⓘ                      | MALCOLM HORTON  | G4DMH  | 45 | 6  |

|   |                 |        |    |    |
|---|-----------------|--------|----|----|
| CHEAP HI - Z HEADPHONE IDEA               | GEOFF POLLITT   | G4NPQ  | 45 | 10 |
| JAGGY NOISE LIMITER                       | MEL EVANS       | GM6JAG | 45 | 21 |
| SINE WAVE SIDETONE                        | RAY GREENWOOD   | G4OQQ  | 45 | 20 |
| AUTO KEYER                                | BEV BRANDEN     | G4TDU  | 46 | 16 |
| DANDELION SEEDS IN THE WIND               | JOHN TRENT      | KL7DG  | 46 | 19 |
| KEYING AND SWITCHING WITH CMOS ICs        | MATT VOLKERT    | DF4SQ  | 46 | 4  |
| RF PRE-AMP                                | MIKE MICHAEL    | W3TS   | 46 | 3  |
| SIMPLE QRP WITH THE TS120/130             | BRIAN AUSTIN    | ZS6BKW | 46 | 18 |
| AUTOMATIC INTERNAL/EXTERNAL VFO SWITCH    | IAN BRAITHWAITE | G4COL  | 47 | 10 |
| PROPOGATION NOTES                         | MIKE MOLINA     | EA3FHC | 47 | 22 |
| RF GAIN CONTROL FOR THE ARGOSY            | JIM LYON        | VE2KN  | 47 | 17 |
| LINEAR AND STABLE VFO FOR 14 MHZ          | MATT VOLKERT    | DF4SQ  | 48 | 6  |
| 14 MHZ TRANSVERTER                        | ELMAR VOLLER    | DL2QA  | 49 | 4  |
| CENTURY 22 APPRAISAL                      | COLIN TURNER    | G3VTT  | 49 | 19 |
| SEMI - BREAKIN T/R SWITCH                 | GRAHAM RANFT    | VK7ZO  | 49 | 17 |
| ANTENNA TO IONOSPHERE MATCHING            | VLADIMIR ADEMOV |        | 50 | 18 |
| MLX BOARDS                                |                 |        | 50 | 13 |
| OOPS SOME ARTICLE UPDATES                 |                 |        | 50 | 15 |
| ROUND NOSED PLIER CLAMP                   | P DAVIES        | G8BHI  | 50 | 21 |
| THE SUFFOLK TROPHY                        |                 |        | 50 | 15 |
| APPLICATION FOR THE MLX SSB BOARD         | MIKE HENLEY     | G4JXX  | 51 | 3  |
| IS THERE A 4406 IN YOUR RIG               | PETER LINSEY    | G3PDL  | 51 | 6  |
| MILLIWATTING ON 2304 MHZ                  | TERRY YOUNG     | K4KJP  | 51 | 24 |
| SEMI BREAK-IN AND SIDETONE CIRCUIT        | COLIN HAWKINS   | GØCEU  | 51 | 5  |
| THE CHELMSLEY TROPHY 1987                 |                 |        | 51 | 23 |
| <a href="#">80 METRES QRP</a> ⓘ           | A.W. McNEIL     | G3FCK  | 52 | 21 |
| A PCB TIP                                 | RONNIE MARSHALL | GM4JJG | 52 | 11 |
| ACTIVE FREQUENCY DOUBLER                  | IAN BRAITHWAITE | G4COL  | 52 | 4  |
| ADAPTING HC25 CRYSTALS TO HC6 HOLDERS     | BRIAN HARRIS    | G3XGY  | 52 | 19 |
| CHECK YOUR OPERATING PROFICIENCY          | GUS TAYLOR      | G8PG   | 52 | 24 |
| THE PROTECTION OF POWER MOSFETS           | ALAN UPTON      | G3UZU  | 52 | 20 |
| AN OUTBOARD AUDIO MODULE FOR RECEIVERS    | WES HEYWARD     | W7ZOI  | 53 | 10 |
| CONSTRUCTORS TIPS PLASTIC DIALS           | COLIN HAWKINS   | GØCEU  | 53 | 9  |
| STAND W.G.AND AMERICAN W.G.               |                 |        | 53 | 9  |
| CLASS A BUFFERS (THEORY V PRACTICE)       |                 | G3ZOM  | 54 | 13 |
| THE HISTORY OF QRP                        | ADE WEISS       | WØRSP  | 54 | 23 |
| EOUROPEAN CW ASSOCIATION                  | TONY SMITH      | G4FAI  | 55 | 22 |
| G3ASV VHF TX PCB                          |                 |        | 55 | 6  |
| GOOD QRP OPERATING                        | GERALD STANCEY  | G3MCK  | 55 | 23 |
| T/R CONTROL FOR DC TRANSCEIVER            |                 | G3MBN  | 55 | 3  |
| THE SUFFOLK TROPHY                        |                 |        | 55 | 21 |
| A QRP VISIT TO OK                         | COLIN TURNER    | G3VTT  | 56 | 18 |
| COALS TO NEWCASTLE                        | BOB BROWN       | NM7M   | 56 | 20 |
| IAMBIC KEYER                              | IAN KEYSER      | G3ROO  | 56 | 8  |
| MILLIWATTING AND MICROWATTING             | CHRIS PAGE      | G4BUE  | 56 | 26 |
| PRACTICAL WIRELESS 144 MHZ QRP CONTEST    | STEVE HARTLEY   | GMOFUW | 56 | 21 |
| 10 USEFUL HINTS AND TIPS                  | GEORGE DOBBS    | G3YCC  | 57 | 20 |
| 13.8v FROM A 12v REGULATOR                |                 | G4RAW  | 57 | 8  |
| ANYONE FOR THE 1000 METRES-PER WATT AWARD | A.S. CHESTER    | G3CCB  | 57 | 8  |
| HOW THE CLUB WORKS                        |                 |        | 57 | 21 |
| EMC DIRECTIVE                             |                 |        | 58 | 3  |
| TALKING BOOKS FOR THE BLIND               |                 |        | 58 | 13 |
| KANGA ILLEGAL ONER BOARDS                 |                 |        | 59 | 9  |
| NON-ETCHED PCB IDEA                       | BOB LEASK       | G4CEO  | 59 | 23 |
| SMT - SMD - QRP                           | BILL MOONEY     | G3VZU  | 59 | 12 |
| THE G-QRP CLUB SPONSOR A MEMBER SCHEME    | DAVID JACKSON   | G4HYY  | 59 | 25 |
| COHERENT C.W.                             | PETER LUMB      | G3IRM  | 60 | 13 |
| G3RJV TRIES S.M.D.                        |                 |        | 60 | 33 |
| QSL STORAGE IDEA                          | VIC FLOWERS     | G8QM   | 60 | 19 |
| ANOTHER RIT CIRCUIT                       |                 | G3ZOM  | 61 | 23 |
| BALANCED MODULATOR                        | IAN KEYSER      | G3ROO  | 61 | 33 |
| DIRECT CONVERSION RECEIVER SELECTIVITY    | RAY SMITH       | ZL2AQV | 61 | 11 |
| PROJECT FREQUENCY BAND A CONDENSED REP,   | GUS TAYLOR      | G8PG   | 61 | 26 |

|   |                     |            |    |    |
|---|---------------------|------------|----|----|
| A POSITIVE APPROACH TO BREAKTHROUGH                 | BILL MOONEY         | G3VZU      | 62 | 18 |
| AN S.M.D. IAMBIC KEYSER SYSTEM (PART 1)             | BILL MOONEY         | G3VZU      | 62 | 10 |
| DRILL TIP   |                     | VK6BWI     | 62 | 7  |
| OBSERVATIONS ON G4ZWH POWER METER                   |                     | G3DNF      | 62 | 37 |
| RULES FOR LOW POWER FIELD DAY 1990                  |                     |            | 62 | 35 |
| S.M.D. CAPACITIVE TOUCH PADDLE                      | BILL MOONEY         | G3VZU      | 62 | 10 |
| TRANSISTER MARKING                                  | JOHN BEECH          | G8SEQ      | 62 | 32 |
| AN SMD IAMBIC KEYSER SYSTEM (PART 2)                | BILL MOONEY         | G3VZU      | 63 | 8  |
| SURFACE MOUNT TECHNOLOGY :HAM STYLE                 | DAVE PLUMBRIDGE     | G3KMG      | 63 | 16 |
| A TIP FOR CROSS HEADS                               |                     | G3DNF      | 64 | 15 |
| NEAT AND UGLY                                       |                     | G3MNO      | 64 | 21 |
| PASSIVE 800HZ FILTERS USING 88MH TOROIDS            | HA-JO BRANDT        | DJ1ZB      | 64 | 9  |
| AGCW QRP CONTESTS RULES                             |                     | G3DNF      | 65 | 27 |
| DON'T SQUANDER YOUR INHERITANCE                     | FRANK LEE           | GM4TYO     | 66 | 19 |
| NOVICE NEWS   | DAVE GOSLING        | G0NEZ      | 66 | 33 |
| REDUCING VOLTAGE CONVERTER NOISE                    | GORDON BENNET       | G3DMF      | 66 | 14 |
| G QRP CLUB PACKET BBS LIST                          |                     |            | 68 | 39 |
| HF FIELD DAY AND QRP                                | CHRIS PAGE          | G4BUE      | 68 | 38 |
| THE LYNNE 555 AUDIO OSCILLATOR                      | KEN RUIZ            | G4SGF/ZB2M | 69 | 12 |
| AROUND THE WORLD IN 40 DAYS                         | PETER DODD          | G3LDO      | 70 | 28 |
| IMPROVED DESOLDERING PUMP                           |                     | G4FQQ      | 70 | 7  |
| NARROW BAND T.V. ASSOCIATION                        |                     |            | 71 | 14 |
| SOME RUSSIAN CW SLANG                               |                     |            | 71 | 15 |
| TAKE CARE WITH THAT VACUUM CLEANER                  |                     | G3OUC      | 71 | 28 |
| TWO TIPS FOR SCREWDRIVERS/CONSTRUCTION              | JIM HARRISON        |            | 71 | 19 |
| <a href="#">FINDING METER INTERNAL RESISTANCE</a> ⓘ | DAVE ACRILL         | G0DJA      | 72 | 21 |
| HC6U ADAPTER  | GERALD STANCEY      | G3MCK      | 72 | 21 |
| LOCAL TECH HELP IN CRAWLEY                          | S BEAUCHAMP         | G3SYD      | 72 | 32 |
| LOCAL TECH HELP IN DURSLEY                          | R.D. SEXTON         | G4IZS      | 72 | 32 |
| THE HB9ADQ MULTIBAND DELTA LOOP A PLEA!!            | FRED BONOVIATA      | W5QJM      | 72 | 20 |
| KRISTA IAMBIC KEYSER                                | PRODUCT REVIEW      |            | 73 | 26 |
| CHEAP'N EASY TOUCH PADDLES FOR THE CURTIS 8044 CHIP | BERNHARD SZYMANIAK  | DL7GK      | 74 | 6  |
| FREQUENCY MULTIPLIERS                               | JOHN BEECH          | G8SEQ      | 74 | 29 |
| CW KEYSER AND SIDETONE                              | PETER HOWARD        | G4UMB      | 76 | 14 |
| EEC EMC REGULATIONS AND THE FUTURE OF KITS          |                     |            | 76 | 28 |
| SIMPLE TOUCH KEYSER                                 | STEVE COLLIS        | F1NZY      | 76 | 14 |
| FRENCH CALLSIGN CHANGES                             |                     |            | 77 | 20 |
| THE FIRST AMATEUR RADIO CONTACT USING A TRANSISTOR  |                     |            | 77 | 30 |
| A REVIEW OF THE S.E.M. QRM ELIMINATOR               | GUS TAYLOR          | G8PG       | 78 | 8  |
| CONTEST FATIGUE REDUCERS                            | MIKE MICHAEL        | W3TS       | 78 | 19 |
| TWO QUICK TIPS FROM FRANK LEE G3YCC                 | FRANK LEE           | G3YCC      | 78 | 15 |
| A SIDETONE FIX                                      | FRANK LEE           | G3YCC      | 79 | 23 |
| MFJ 9040 AGC FIX                                    |                     | K4ADL      | 79 | 23 |
| THE NORTHERN CALIFORNIA QRP CLUB                    |                     |            | 79 | 8  |
| VK CW OPERATORS QRP CLUB                            |                     |            | 79 | 12 |
| BUILDING THE NORCAL 40 TRANSCEIVER "HOMEBREW"       | DAVE ANTHONY        | W5NOE      | 80 | 18 |
| DO-IT-YOURSELF SPRAT BINDERS                        | ROY SMYTH           | GI4CBG     | 80 | 25 |
| SM7UCZ VINTAGE VALVE RECEIVER - UPDATE              | DOUG                | G4RGN      | 80 | 26 |
| SSB MOBILE WITH THE MIZUHO                          | BYRON WEAVER        | WU2J       | 80 | 34 |
| THE APPLETON PROJECT                                |                     |            | 80 | 26 |
| THE MALTA 40 - SOME CONSTRUCTION NOTES              | CLIVE GRAHAM        | G3XIG      | 80 | 20 |
| CORRECTION VK2AW MINICOM                            |                     |            | 81 | 22 |
| FURTHER NOTES ON THE MALTA 40                       | MIKE FAULKENER      | G0IFK      | 81 | 22 |
| WORKING WITH PCB MATERIALS                          | JOHN BEECH          | G8SEQ      | 81 | 37 |
| SPIRITUS TRANSISTOR BASTA                           | ROBERT VAN DER ZAAL | PA3BHK     | 83 | 17 |
| A MORSE KEYSER IN CMOS                              | RICHARD HANES       | G0RPH      | 84 | 6  |
| A SLOVAKIAN INTERLUDE                               | FRED GARRATT        | G4HOM      | 84 | 22 |
| LM386 HINTS   | WAYNE BURDICK       | N6KR       | 84 | 28 |
| SURFACE MOUNT TECHNOLOGY                            | R J HARRISON        | G3TMQ      | 84 | 20 |
| FOUR DAYS IN MAY                                    | GEORGE DOBBS        | G3RJV      | 85 | 18 |
| THE G0BZF KEYSER                                    | DAVE REID           | G0BZF      | 85 | 11 |



|   |                     |           |     |    |
|---|---------------------|-----------|-----|----|
| A FUN IAMBIC KEYER PADDLE                                 | EARL MEAD           | AB6CN     | 86  | 19 |
| CUTTING HUM IN THE HWA7-1 POWER SUPPLY AND OTHERS         | FRED BONAVIDA       | W5QJM     | 86  | 24 |
| FOUR DAYS IN MAY UPDATE                                   |                     |           | 86  | 25 |
| HOW TO PATCH THE QRP-PLUS EPROM                           | ANDREAS TOMIAK      | DH7ADR    | 86  | 20 |
| THE G4OPE IAMBIC KEYER WITH MEMORY                        | MICK HODGES         | G4OPE     | 86  | 8  |
| THE MICRO TUTOR   | DAVE REID           | GØBZF     | 86  | 12 |
| WATCH OUT   | MAC MCNEILL         | G3FCK     | 86  | 15 |
| EMC AND AMATEUR RADIO KITS                                | RSGB PRESS BULLETIN |           | 87  | 13 |
| FURTHER OBSERVATIONS ON PL259 PLUGS                       | GEOFF ARNOLD        | G3GSR     | 87  | 26 |
| PW SEVERN BUILDERS BEWARE                                 |                     |           | 87  | 16 |
| THE DKØWCY STAND-OFF                                      | GORDON J. BENNETT   | G3DNF     | 87  | 32 |
| TWO TIPS FOR CONSTRUCTORS                                 | DOUG MEPHAM         | G4ERA     | 87  | 16 |
| VARICAP TUNING WITH CONSTANT RIT OFFSET                   | ELMER VOLLAR        | DL2QA     | 87  | 11 |
| VLF COMES TO THE UK                                       |                     |           | 87  | 26 |
| HANDY HINTS FOR A HAPPY SHACK                             |                     |           | 88  | 32 |
| NOTES ON THE GM3OXX CW FILTER                             | WALTER FARRAR       | G3ESP     | 88  | 20 |
| FOUR DAYS IN MAY SYMPOSIUM                                |                     |           | 89  | 29 |
| QRP CALENDAR 1997   |                     |           | 89  | 32 |
| AN ALTERNATIVE AUDIO AGC                                  | JOHN HEY            | G3TDZ     | 90  | 13 |
| USING THE G3ROO SYNTH WITH THE G4OPE DDS VFO              | MALCOLM HORTON      | G4DMH     | 91  | 23 |
| SSB TRANSMIT IF : A REPLACEMENT SCHEME FOR SL1600 IC's    | SHELDON HANDS       | GW0ELR    | 92  | 6  |
| THE LCK REVISITED   | IAN KEYSER          | G3ROO     | 92  | 18 |
| A CHRISTMAS PROJECT                                       | ALBERT HEYNES       | G4ZHE     | 93  | 5  |
| AN AUDIO SPEECH PROCESSOR                                 | GARY PODGORMY       | EW1MM     | 93  | 26 |
| EXTRA AUDIO GAIN FOR THE LCK                              | RICHARD HANES       | GØRPH     | 93  | 19 |
| MAKE A BOX  | JOHN SHAW           | G3ZKZ     | 93  | 25 |
| THE 74HCU04 - MISRES DREAM                                | BILL CURRIE         | VK3AWC    | 93  | 16 |
| CAPACITANCE vs VOLTAGE FOR SOME COMMON DIODES             | PAUL HARDEN         | NA5N      | 94  | 26 |
| THOUGHTS ON TOP BAND                                      | LEIGHTON SMART      | GW0LBI    | 94  | 27 |
| A LOW BATTERY VOLTAGE INDICATOR                           | HA-JO BRANDT        | DJ1ZB     | 95  | 13 |
| CARRIER INSERTION OSCILLATOR                              | STEVE ORTMAYER      | G4RAW     | 95  | 35 |
| EXPERIMENTS WITH GILBERT CELL MIXERS                      | IAN BRAITHWAITE     | G4COL     | 95  | 17 |
| NOISE CANCELLING MICROPHONE                               | JOHN BEECH          | G8SEQ     | 95  | 36 |
| AUDIO PRE-AMP FOR THE EASY-THREE RECEIVER [SPRAT 92]      | C.F. ROCKEY         | W9SCH     | 96  | 25 |
| CARDBOARD CIRCUIT BOARDS DO WORK!                         | ROD SEYMOUR         | G1TNE     | 96  | 24 |
| AN EPIPHYTE IN CHILE                                      | KENN EVERARD        | CE8/GØNKZ | 97  | 25 |
| EMMA'S CHALLENGE  | EMMA CONSTANTINE    | 2E1BVJ    | 97  | 26 |
| WORKING WITH WALL WARTS                                   | FRED BONAVIDA       | W5QJM     | 98  | 16 |
| CMOS MIXER EXPERIMENTS                                    | LEON WILLIAMS       | VK2DOB    | 99  | 26 |
| FINISHING FRONT PANELS                                    | VARIOUS AUTHORS     |           | 99  | 10 |
| PENNING DOWN CRYSTALS                                     | RICHARD WELLS       | GØRXH     | 99  | 6  |
| 137Mhz BANDPASS FILTER                                    | STEVE ORTMAYER      | G4RAW     | 100 | 33 |
| A CRYSTAL CHECKER   | WALTER FARRAR       | G3ESP     | 100 | 13 |
| CERAMIC RESONATORS FOR CHEAP AND CHEERFUL VFOs            | JACK PONTON         | GMØRWU    | 100 | 16 |
| ENHANCED KENWOOD TS-520 QRP OPERATIONS                    | DAN CASE            | KBØJUL    | 100 | 24 |
| LOW-VOLTAGE OSCILLATOR FEATURES INCREASED SPECTRAL PURITY | MARCO ELEUTERI      | IKØVSV    | 100 | 22 |
| REGULATOR WITH FAIL SAFE MONITORING                       | JIM BRETT           | GØTFP     | 100 | 12 |
| SINE WAVE AUDIO GENERATOR                                 | FRANK BRUMBAUGH     | W4LJD     | 100 | 3  |
| VARIOUS MIXERS  | JOHN BEECH          | G8SEQ     | 100 | 34 |
| A SIMPLE SIDETONE   | ANDRE MASSIEYE      | F5JDG     | 101 | 11 |
| A UNIVERSAL VFO/EXCITER                                   | BILL CURRIE         | VK3AWC    | 101 | 8  |
| MORE ON USING WALL WARTS                                  | GIANCARLO MODA      | F-I7SWX   | 101 | 13 |
| RECEIVER CW FILTER  | LUIGI ADRIATICO     | IØKWK     | 101 | 17 |
| TWO USEFUL METER CIRCUITS                                 | JOHN HEY            | G3TDZ     | 101 | 12 |
| QRP TRANCEIVERS USING WIDE RANGE VXO's                    | NORBERT LITZ        | HB9BWY    | 102 | 6  |
| THE SNOWFLAKE [1 & 2]                                     | DAVE PENNY          | G3PEN     | 102 | 8  |
| A QRP DUMMY LOAD  | GARETH EVANS        | G4XAT     | 102 | 9  |
| CIRCUITS AND SHORT CUTS :POT LUCK                         | DON CALLOW          | VK5AIL    | 102 | 16 |

|   |                     |            |     |    |
|---|---------------------|------------|-----|----|
| A CONNECTOR BLOCK TOOL RACK                     | A. ASPINALL         | G0NDM      | 102 | 17 |
| VK WITH 5 WATTS ON 160 METRES                   | IAN KEYSER          | G3ROO      | 102 | 25 |
| A SIMPLE DDS                                    | JOHN COOPER         | G8GKU      | 103 | 19 |
| A PCB DRILL IDEA                                | RORY GEOGHEGAN      |            | 104 | 9  |
| COIL FORMERS USING DIN PLUGS                    | ALAN UPTON          | G3UZU      | 104 | 16 |
| THE ONE CORK PIN-OUT CHECKER                    | DR. KEN CRAVEN      | G4LKP      | 104 | 17 |
| ADVENTURE RADIO                                 | RICHARD NEWSTEAD    | G3CWI      | 105 | 10 |
| VERY WEAK SIGNAL RECEPTION                      | PETER DODD          | G3LDO      | 106 | 10 |
| RECYCLED COMPUTER BITS                          | TIM OSTLEY          | M5TIM      | 106 | 13 |
| MORE HEARING AID ADVICE                         | BRIAN ALDERSON      | G3KJX      | 106 | 16 |
| PSK - THE NEW CW? (OR MAYBE NOT)                | RICHARD CONSTANTINE | G3UGF      | 106 | 17 |
| UR-QRP CLUB EXPEDITION                          | PETER P GRYSAY      | US1REO     | 107 | 6  |
| SPACE JUNK                                      | TIM OSTLEY          | M5TIM      | 107 | 15 |
| 101 THINGS TO DO WITH A DEAD MOUSE              | ROY WALKER          | G0TAK      | 107 | 16 |
| A RESONATOR VXO                                 | T.T. MANI           | VU2ITI     | 107 | 20 |
| WIND POWER                                      | JOHN BEECH          | G8SEQ      | 107 | 34 |
| TRY SURFACE MOUNT CONSTRUCTION                  | GEORGE DOBBS        | G3RJV      | 108 | 4  |
| PULLING CRYSTALS EVEN FURTHER                   | Dr. ANDREW SMITH    | G4OEP      | 108 | 15 |
| THE TAK893 DOUBLE BALANCED MIXER                | G.FIRTH / P. HARDEN | G3MFJ/NA5N | 108 | 24 |
| DESIGN OF SURFACE MOUNT OSCILLATORS             | RICHARD TORMET      | N8YSK      | 108 | 27 |
| HF SELECTIVE MICROVOLTMETER ⓘ                   | MILAN CATARI        | 9A9RA      | 109 | 3  |
| THE FREQUENCY FINDER ⓘ                          | BILL CURRIE         | VK3AWC     | 109 | 6  |
| A CRYSTAL CHECKER                               | WALTER FARRAR       | G3ESP      | 109 | 8  |
| OPEN FEEDER CURRENT METER & RF SNIFFER          | PATRICK SMITH       | GW0VMR     | 109 | 9  |
| QRP POWER SUPPLY BASED ON LAMP OIL              | FRITS OGG           | PA2LIA     | 109 | 16 |
| SETTING AUDIO LEVELS FOR DIGITAL MODES          | PHIL COOPER         | GU0SUP     | 109 | 20 |
| "LAUSER-PLUS" TWO BAND MIXER                    | RUDI BURSE          | DK2RS      | 110 | 5  |
| THE NJ ISLANDER & IC's                          | INGO MEYER          | DK3RED     | 110 | 10 |
| MOUNTING IC SOCKETS a la MANHATTEN              | DOV RABINOWITZ      | AD0V       | 110 | 11 |
| QRP AND S UNITS                                 | PAUL HARDEN         | NA5N       | 110 | 14 |
| BOOSTING THE LM386                              | BILL CURRIE         | VK3AWC     | 110 | 16 |
| A ONCE ONLY SIDETONE OSCILLATOR                 | BILL DURHAM         | G3DNE      | 110 | 17 |
| A SIMPLE METHOD FOR MEASURING PEP               | TONY LYMER          | GM0DHD     | 110 | 24 |
| A FEW RADIATION/ABSORPTION METER IDEAS          | MIKE AUSTIN         | M0AAB      | 110 | 29 |
| HELP YOURSELF TO HEAR                           | ROY WALKER          | G0TAK      | 111 | 10 |
| CURRENT LIMITING BATTERY CHARGER                | BILL HICKOX         | K5BDZ      | 111 | 13 |
| A FEW THOUGHTS ON THE K5BDZ CHARGER             | JACK GENTLE         | G0RVN      | 112 | 29 |
| DIGITAL MODES FOR FREE                          | PAUL COURT          | G1ROK      | 113 | 13 |
| NEW RECEIVER CW FILTER                          | LUIGI ADRIATICO     | I0KWK      | 113 | 26 |
| SIMPLE RF FIRED CW MONITOR                      | KARL ELMSJOE        | SM3CLA     | 114 | 17 |
| TWO PRACTICAL IDEAS                             | GEORGE WOODWORTH    | GW4ZAG     | 114 | 20 |
| THE ROCK STEADY CRADLE FOR THE FT817            | HANS SCHROEDER      | AE9G       | 114 | 21 |
| QRP BEYOND BELIEF                               | IGOR GRIGOROW       | RK3ZK      | 114 | 22 |
| IS IONOSPHERIC PROPOGATION IN DECLINE?          | STEVE RAWLINGS      | GW4ALG     | 115 | 21 |
| UNLEASHING THE LM386                            | SVERRE HOLM         | LA3ZA      | 116 | 4  |
| HOW TO DESIGN POWER SUPPLIES AND CHARGERS       | MARCO ELEUTERI      | IK0VSV     | 116 | 14 |
| A PCB FOR THE I7SWX H-MODE MIXER PLUS A BFO     | STEFAN PETROV       | LZ1OV      | 116 | 20 |
| USING COMPUTER MORSE TRAINING PROGRAMS          | HARRY BRASH         | GM3RVL     | 116 | 26 |
| A "KEEP IT SIMPLE" VFO                          | JIM BRETT           | G0TFP      | 119 | 4  |
| SUPPLY REVERSAL PROTECTION CIRCUIT              | STEF NIEWIAOMSKI    |            | 119 | 15 |
| 74HC04 OSCILLATOR BUFFER AND HARMONIC GENERATOR | TEF NIEWIAOMSKI     |            | 119 | 18 |
| A QRP WARC SPEED CHALLENGE                      | JIM LEVISTON        | G3NFB      | 119 | 25 |
| MAKING PCB'S WITH INKJET PRINTERS               | DAVID SMITH         | G4COE      |     |    |
|   |                     |            |     |    |

# Morse Keys Mainly Electronic

| Title   | Author             | Callsign | Sprat | Page |
|---|--------------------|----------|-------|------|
| QRP SQUEEZE KEYS                                    | DAVE POWELL        | G3ZXK    | 7     | 20   |
| SIMPLE AUTO KEYS                                    | GUS TAYLOR         | G8PG     | 7     | 12   |
| CAPACITIVE TOUCH PADDLE                             | ROY LEWALLEN       | W7EL     | 10    | 26   |
| CAPICITANCE TOUCH PADDLE                            | BOB NEWSON         | G4EEM    | 10    | 28   |
| SIMPLE CMOS KEYS FOR THE QRP RIGS                   | ROY LEWALLEN       | W7EL     | 11    | 22   |
| AN ALTERNATIVE KEYING ARRANGEMENT                   | LES TALKOWSKI      | G0SDQ    | 17    | 17   |
| AUTO KEYS   | BEV BRANDEN        | G4TDU    | 46    | 16   |
| MLX BOARDS  |                    |          | 50    | 13   |
| IAMBIC KEYS   | IAN KEYSER         | G3ROO    | 56    | 8    |
| AN S.M.D. IAMBIC KEYS SYSTEM (PART 1)               | BILL MOONEY        | G3VZU    | 62    | 10   |
| S.M.D. CAPACITIVE TOUCH PADDLE                      | BILL MOONEY        | G3VZU    | 62    | 10   |
| AN SMD IAMBIC KEYS SYSTEM (PART 2)                  | BILL MOONEY        | G3VZU    | 63    | 8    |
| ELECTRONIC KEYS ⓘ                                   | PIERRE FILLINGER   | FE1MOG   | 69    | 17   |
| KRISTA IAMBIC KEYS                                  | PRODUCT REVIEW     |          | 73    | 26   |
| CHEAP'N EASY TOUCH PADDLES FOR THE CURTIS 8044 CHIP | BERNHARD SZYMANIAK | DL7GK    | 74    | 6    |
| CW KEYS AND SIDETONE                                | PETER HOWARD       | G4UMB    | 76    | 14   |
| SIMPLE TOUCH KEYS                                   | STEVE COLLIS       | F1NZY    | 76    | 76   |
| A SIMPLE KEYS - SUITABLE FOR THE ONER               | K P S KANG         | VU2KLA   | 83    | 17   |
| A MORSE KEYS IN CMOS                                | RICHARD HANES      | G0RPH    | 84    | 6    |
| MR MOUSE KEYS                                       | BILL               | KD7S     | 84    | 35   |
| THE G0BZF KEYS                                      | DAVE REID          | G0BZF    | 85    | 85   |
| A FUN IAMBIC KEYS PADDLE                            | EARL MEAD          | AB6CN    | 86    | 19   |
| THE G4OPE IAMBIC KEYS WITH MEMORY                   | MICK HODGES        | G4OPE    | 86    | 86   |
| THE MICRO TUTOR                                     | DAVE REID          | G0BZF    | 86    | 86   |
| A SIMPLE TOUCH PADDLE                               | DAVE LUNN          | G3LSL    | 88    | 21   |
| A SIMPLE KEYS                                       | MIKE SUMNER        | G3PVH    | 90    | 23   |
| A VARICAP TUNING DIAL                               | JIM HILL           | G4LND    | 90    | 24   |
| THE MINI-E-BUG                                      | HANNES HILLER      | DL9SCO   | 92    | 8    |
| THE TRANSMITTER KEYS                                | JOHNNIE APELL      | SM7UCZ   | 93    | 6    |
| THE MINI TRANSMITTER KEYS                           | JOHNNIE APELL      | SM7UCZ   | 94    | 21   |
| AN ELECTRONIC KEYS FOR THE HOME BREWER              | URS HADORN         | HB9ABO   | 95    | 4    |
| A MORSE KEYS TIP                                    | ALBERT HEYES       | G3ZHE    | 97    | 17   |
| IAMBIC MODE MODIFICATIONS FOR THE DF1KY KEYS        | BRUCE BORROWS      | GM0LLJ   | 97    | 18   |
| A HAND HELD BELL PUSH PADDLE                        | JAMES BOLTON       | G3HBN    | 101   | 24   |
| DXKEY - PIC KEYS CW                                 | STEFANO PAPINI     | IK5XCT   | 109   | 18   |
| PALM MINI PADDLE PLUG SUPPORT                       | RON PRATT          | G4DDX    | 111   | 25   |
| ELECTRONIC KEYS                                     | JACK BENNETT       | G3PVG    | 114   | 18   |
| TELEGRAPH KEYS FOR A QRP EXPEDITION                 | IGOR GRIGOROW      | RK3ZK    | 114   | 26   |
| SIMPLE CODE KEYS TO ENCOURAGE THE BEGINNER          | HOWIE KRAUSSE      | W5OM     | 115   | 20   |
| ELECTRONIC KEYING FOR AN ELECTRONIC KEYS            | IGOR GRIGOROW      | RK3ZK    | 115   | 28   |
| KEYING THE ELECRAFT K2 FOM A PC                     | STEVE RAWLINGS     | GW4ALG   | 116   | 17   |
| HOMEMADE MECHANICAL BUG KEYS                        | GREG KNOBEL        | HB9FAE   | 116   | 24   |
|   |                    |          |       |      |

# Photocall

| Title                  | Author     | Callsign | Sprat | Page |
|------------------------|------------|----------|-------|------|
| YET ANOTHER SIDETONE   | KEN MAXTED | GM4JMU   | 33    | 15   |
| G3DOP ON QRP WITH 1154 |            |          | 51    | 16   |
| G-QRP CLUB IN DAYTON   |            |          | 51    | 16   |
| 20m CW TRANSCEIVER     |            | G3RJV    | 53    | 15   |
| CHERITON TWO BAND RX   |            |          | 53    | 15   |

|  |           |       |     |       |
|--|-----------|-------|-----|-------|
| HOME STATION G3JNB                               |           |       | 53  | 16    |
| UNICHIP TRANSCEIVER                              | MIKE KING | G3MY  | 53  | 15    |
| SUDDEN RX 80 40 20 VERSIONS                      |           |       | 58  | FC    |
| G4WUS COMPACT TRANSCEIVER                        |           |       | 59  | FC    |
| GQRP CLUB IN TEXAS 89                            |           |       | 60  | 21    |
| LZ15IM 20m TRANSCEIVER                           |           |       | 64  | 22    |
| W62H 20m QRP TRANSCEIVER                         |           |       | 64  | 23    |
| 1991 SUMMER QRP PARTY                            |           |       | 68  | 35    |
| DIETER TRUMMER OE6WTD MEMBER 5126                |           |       | 69  | FC    |
| THE LYNNE 555 OSCILLATOR                         |           |       | 69  | 13    |
| K4TWJ PEN TX                                     |           |       | 71  | 14    |
| NAT LAYOUT                                       |           |       | 71  | 13    |
| NO COST ATU MKII                                 |           |       | 71  | 10    |
| THE QRP ARCI HONOR ROLLERS AT DAYTON             |           |       | 71  | FC    |
| VARIOUS PICTURES OF DAYTON 92                    |           |       | 71  | 27    |
| RICK CAMPBELL KK7B ROY LEWALLEN W7EL             |           |       | 72  | FC    |
| THE DAVCO AMATEUR BANDS RECEIVER                 |           |       | 72  | 30    |
| ANDY STAFFORD G4VPM/5B4                          |           |       | 74  | 39    |
| OUR FIRST GW QRP MASTER                          |           |       | 74  | 27    |
| DAYTON 1993 REPORT                               |           |       | 75  | 29    |
| THE SHACK OF PHIL (2WØACD)                       |           |       | 76  | 35    |
| THE LATE LUKE DODDS W5 HKA                       |           |       | 78  | FC    |
| THE G3TXQ CUB - WHAT A GOOD IDEA                 |           |       | 79  | FC    |
| QSL BUREAU MANAGER - BOB HUDSON G4JFN            |           |       | 80  | 27    |
| SPRAT ILLUSTRATOR - A.W. McNEILL G3FCK           |           |       | 80  | 27    |
| THE ANV 20SSB/CW TRANSCEIVER                     |           |       | 80  | FC    |
| G3RJV (9M8GD) IN BORNEO                          |           |       | 81  | FC    |
| WEDDING OF G3PDL                                 |           |       | 83  | 34    |
| THE OM9MV CREW                                   |           |       | 84  | 23    |
| TEN MINUTE TX FOUND HIDING IN A GERMAN MORSE KEY | PETER     | DJØGD | 88  | 32    |
| QRP ARCI HALL OF FAME INDUCTEES 2003             |           |       | 115 | COVER |
| GEORGE G3ICO WINS G2NJ TROPHY                    |           |       | 119 | COVER |
| QRP ARCI HALL OF FAME INDUCTEES 2004             |           |       | 119 | COVER |

## Receiver Topics

| Title                                   | Author          | Callsign | Sprat | Page |
|---|-----------------|----------|-------|------|
| FET REGENERATIVE RECEIVER               | HA-JO BRANDT    | DJ1ZB    | 4     | 13   |
| SR 1.5-4 RECEIVER                       | W.JONES         | GW8PLV   | 14    | 5    |
| SILVER TERN SUPER REFLEX RECEIVER       | EMIL TENLUND    |          | 15    | 7    |
| IC 1.8-2.5 MHZ RECEIVER                 | IAN KEYSER      | G3ROO    | 17    | 3    |
| DC RECEIVER FOR 80 METRES               | PETER BRENT     | G4LEG    | 22    | 8    |
| TWO WATTS OUT WITH AN FT7               | FELIX CARBONARA | I7CCF    | 22    | 10   |
| DC-77 RECEIVER                          |                 | PAØGBY   | 30    | 3    |
| ROO 10 MHZ RECEIVER                     | IAN KEYSER      | G3ROO    | 31    | 16   |
| HF PRESELECTOR                          | HA-JO BRANDT    | DJ1ZB    | 33    | 10   |
| SIMPLE STRAIGHT 2.5-28 MHZ RECEIVER     | DON BENHAM      | GW3ZFY   | 34    | 8    |
| 80 TO 2 METRES RECEIVE CONVERTER        | JOHN REYNOLDS   | G3PTO    | 35    | 18   |
| LOW POWER SSB/CW HF RECEIVER            | MIKE SMALL      | G4DVI    | 37    | 6    |
| SIMPLE 14 MHZ RECEIVER                  | IAN BRAITHWAITE | G4COL    | 37    | 4    |
| 160 AND 30m RECEIVE CONVERTER           | MAURICE SELBY   | G4LV     | 38    | 4    |
| DIRECT CONVERSION RX FRONT END          | MIKE SOUTHALL   | G3WWS    | 38    | 9    |
| SPECIAL PURPOSE RECEIVER                | WES HAYWARD     | W7ZOI    | 44    | 12   |
| CQC DUAL BANDER RECEIVER                |                 |          | 47    | 3    |
| <a href="#">ROCKET RECEIVER ⓘ</a>       | MIKE MOLINA     | EA3FHC   | 47    | 14   |
| <a href="#">TENOR 80m DC RECEIVER ⓘ</a> | PHIL HOBSON     | G4HOJ    | 49    | 8    |

|   |                    |          |    |    |
|---|--------------------|----------|----|----|
| THE NIG A SIMPLE SUPERHET FOR 80 AND 40 ON ONE RX | GEORGE BURT        | GM30XX   | 50 | 24 |
| THE ONER IMP RX                                   | GEORGE DOBBS       | G3RJV    | 54 | 16 |
| A SIMPLE 29 MHZ DC RECEIVER                       | IAN KEYSER         | G3ROO    | 54 | 16 |
| STABLE RF AMP FOR THE 10 TEC ARGOSY II            | JOHN YOUNG         | BRS33339 | 55 | 18 |
| THE UNO   | D.A. MICHAEL       | W3TS     | 55 | 16 |
| THE UNO ON 40 METRES                              | FINBAR O'CONNOR    | EIØCF    | 56 | 5  |
| 7 MHZ O.C. RX USING 74HC4066                      | FINBAR O'CONNOR    | EIØCF    | 56 | 7  |
| THE UNICEIVER                                     |                    |          | 57 | 19 |
| TEN TEC OMNI FOR QRP/QRO SWITCHING                | MATTHIAS RAUHUT    | DF20F    | 57 | 5  |
| THE SUDDEN RECEIVER                               | COLIN TURNER       | G3VTT    | 58 | 12 |
| SWITCHED BANDPASS FILTERS                         | GEORGE DOBBS       | G3RJV    | 58 | 16 |
| FURTHER NOTES ON LINER TWO ON C.W.                |                    |          | 59 | 7  |
| IC735 MODS  | BOB CARTER         | G3VSO    | 60 | 17 |
| 1 KHZ LOW PASS FILTER FOR RECEIVERS               | G.BENNET           | G3DNF    | 60 | 18 |
| THE SUDDEN RECEIVER GOES SMD                      | HA-JO BRANDT       | DJ1ZB    | 61 | 24 |
| THE WHITE ROSE RECEIVER                           |                    |          | 61 | 19 |
| SUDDEN RECEIVER MODIFICATION                      | JOHN HEY           | G3TDZ    | 61 | 3  |
| THE FO-RECEIVER                                   |                    | VK2CWH   | 62 | 8  |
| A QUALITY AUDIO AMPLIFIER FOR RECEIVERS           | HA-JO BRANDT       | DJ1ZB    | 62 | 6  |
| QSK FOR THE HOWES CTX80                           | IAN KEYSER         | G3ROO    | 63 | 28 |
| THE NEW ARGONAUT II MODEL 535                     | BILL LEASK         | G4CEO    | 63 | 25 |
| Y27BH JUERGEN IN HIS SHACK                        |                    |          | 63 | 26 |
| THE DYMAR 880 SERIES TWO METRES                   |                    |          | 64 | 22 |
| AUDIO AMP FOR DC RECEIVERS                        | MIKE OSBOURNE      | G3YGM    | 65 | 31 |
| RECEIVER SLOW MOTION DRIVE                        | DAVID LIMMER       |          | 66 | 13 |
| THE MALSOR KITS REVIEWED                          | ROY SMITH          | G0IWU    | 66 | 15 |
| DOUBLE CONVERSION RX                              | GUS TAYLOR         | G8PG     | 66 | 28 |
| 5'MTR' AND AGC FOR ZN416                          | IAN MACPHERSON     | GM3RXU   | 67 | 6  |
| FULL QSK WITH THE RAI7                            | BILL MOONEY        | G3VZU    | 68 | 15 |
| HIGH PERFORMANCE DC RX                            | BOB LEASK          | G4CEO    | 68 | 24 |
| SSB/CW IF STRIP                                   | MATHIAS VOLKERT    | DF4SQ    | 68 | 18 |
| AN 80 METRE PHASING RECEIVER ⓘ                    | DAVE LIMMER        |          | 68 | 11 |
| DUAL BAND RECEIVER                                | JOHN YOUNG         | G7BCJ    | 69 | 19 |
| TRIO KENWOOD TRCVRS VARIABLE POWER MOD            | STEVE HARLEY       | G0FUW    | 69 | 10 |
| NICKY'S TRF                                       | ANDY STAFFORD      | G4VPM    | 69 | 36 |
| THE POTTENSTEIN RECEIVER                          | COLIN DAVIS        | G3VMU    | 70 | 3  |
| FREQUENCY JUMPING ON MIZUHO TRCVRS                | Ha-Jo BRANDT       | DJ1ZB    | 70 | 9  |
| IC735 MODIFICATION                                | ROY KAVANAGH       | GM4VKI   | 71 | 17 |
| RX POSTSELECTION FOR CW                           | DR. GORDON BENNETT | G3DNF    | 71 | 15 |
| THE G3TDZ PHASING RECEIVER                        | Ha-Jo BRANDT       | DJ1ZB    | 71 | 19 |
| A POLYPHASE RECEIVER                              | JOHN R. HEY        | G3TDZ    | 71 | 3  |
| NICKY TRF IMPROVEMENTS                            | JOHN R HEY         | G3TDZ    | 72 | 18 |
| PEBBLE CRUSHER MODIFICATIONS                      | DOUG GIBSON        | G4RGN    | 72 | 16 |
| THE CHEVIN 80MTR SUPERHET                         | DOUG GIBSON        | G4RGN    | 72 | 16 |
| THE HERTZVERTER TOP BAND CONVERTER ⓘ              | TONY LYMER         | GMØDHD   | 72 | 27 |
| AN UGLY ATTENUATOR RELAY SWITCHED                 | DAVID LIMMER       | QRP 5668 | 72 | 10 |
| CERAMIC RESONATORS IN RECEIVERS                   | LES JACKSON        | G4HZJ    | 72 | 28 |
| A 14 MHz SUPERHET RECEIVER                        | ROY SMITH          | GØIWU    | 73 | 20 |
| A SIMPLE UNIVERSAL H F CONVERTER                  | IAN MACPHERSON     | GM3RXU   | 73 | 8  |
| A HIGH PERFORMANCE DIRECT CONVERSION RECEIVER     | FRANK LEE          | G3YCC    | 74 | 14 |
| USING THE ICOM IC726 ON QRP                       | HARRY POPOV        | LZ1BB    | 74 | 18 |
|   | ROELOF BAKKER      | PAØRDT   | 75 | 6  |
|   | DAVE ACKRILL       | GØDJA    | 75 | 35 |

|   |                            |             |     |    |
|---|----------------------------|-------------|-----|----|
| MORE CHATTERBOX MODIFICATIONS                           | IAN LISTON-SMITH           | G4JQT       | 76  | 18 |
| THE SUPER 40 RECEIVER                                   | RICHARD COOK               | G4XHE       | 76  | 22 |
| EASY LF BANDS RECEIVER                                  | PETER BRENT                | G4LEG       | 77  | 26 |
| <a href="#">THE MINICOM SUPERHET RECEIVER</a> ⓘ         | BASIL DALE                 | VK2AW       | 79  | 9  |
| THE THREEFER  | MIKE MICHAEL               | W3TS        | 79  | 15 |
| THE CONTESTER DC 40m                                    | ROELOF BAKKER              | PAØRDT      | 81  | 25 |
| A MINIMUM COMPONENT PHASING RECEIVER FRONT END          | RICK CAMPBELL              | KK7B        | 82  | 14 |
| THE HF9 TRF SHORT WAVE RECEIVER                         | KEITH RANGER               | GØKJK       | 82  | 4  |
| SIMPLER PRODUCT DETECTOR FOR THE CONTESTER              | ROELOF BAKKER              | PAØRDT      | 83  | 18 |
| RECEIVER MUTING CIRCUIT                                 | ROY LEWALLEN               | W7EL        | 84  | 27 |
| THE SILVER TERN RECEIVER REVISITED                      | MARTYN LINDARS             |             | 84  | 12 |
| ADD ON RF AMPLIFIER FOR HF9 RECEIVER                    | KEITH RANGER               | GØKJK       | 85  | 13 |
| MODIFICATIONS TO THE EPIPHYTE-2 TRANSCEIVER             | DERRY SPITTLE              | VE7QK       | 86  | 13 |
| NORCAL 40 MODS AND ADDITIONS                            | BERNHARD SZYMANIAK         | DL7GK       | 86  | 18 |
| THE PINK RECEIVER                                       | K.P.S. KANG                | VU2KLA      | 86  | 5  |
| THE PIXIE 2 AN UPDATE                                   |                            | WA6BOY      | 86  | 33 |
| USING THE FT990 ON QRP                                  | RICK KERR                  | KA8EGS      | 86  | 23 |
| EPIPHYTE-2 UPDATE ELIMINATING GROUND LOOPS              | DERRY SPITTLE              | VE7QK       | 87  | 14 |
| UNIVERSAL QRP TX MOD                                    | GERALD                     | G3MCK       | 87  | 35 |
| EPIPHYTE-2 UPDATE                                       | DERRY SPITTLE              | VE7QK       | 88  | 22 |
| THE PIXIE GOES ON                                       | DERRICK WEBBER             | G3LHJ       | 88  | 14 |
| A DESIGN FOR A HIGH PERFORMANCE RECEIVER                | DAVID OLIVER               | G4HMC       | 90  | 15 |
| 80M ONE CHIP RECEIVER                                   | DON BREEN                  | G0FQI       | 92  | 26 |
| A DIRECT CONVERSION RECEIVER FOR BEGINNERS              | JOHNNY APELL               | SM7UCZ      | 92  | 20 |
| EXPERIMENTAL DIGITAL CW TRANSMITTERS FOR 80M            | JACK PONTON                | GM0RWU      | 92  | 4  |
| ROCK's EASY THREE RECEIVER                              | C.F.ROCKEY                 | W9SCH       | 92  | 3  |
| A BALANCED DIRECT CONVERSION RECEIVER FOR 80/40/20      | BILL CURRIE                | VK3AWC      | 93  | 10 |
| <a href="#">THE BANDBREAKER 40M SUPERHET RECEIVER</a> ⓘ | ARON SANDERSTROM           | HE9VXB      | 94  | 16 |
| THE GREMLINMATE 40M RECEIVER                            | RUDOLF BURSE               | DK2RS       | 94  | 15 |
| IMPROVEMENTS TO THE GREMLINMATE RECIEVER                | R. BURSE                   | DK2RS       | 95  | 31 |
| A NEW DIRECT CONVERSION RECEIVER                        | OLIVIER ERNST              | F5LVG       | 97  | 14 |
| THE MB4 PORTABLE SW RECEIVER                            | KEITH RANGER               | G0KJK       | 97  | 8  |
| A CMOS SWITCHED 80M SUPERHET                            | ARON SANDERSTROM           | HE9VXB      | 99  | 14 |
| A TELESCOPIC ANTENNA DX RECEIVER                        | KEITH RANGER               | G0KJK       | 100 | 20 |
| AUDIO OUTPUT STAGE FOR RECEIVER                         | BILL CURRIE                | VK3AWC      | 100 | 19 |
| THE RX-20 RECEIVER                                      | OLIVIER ERNST              | F5LVG       | 100 | 10 |
| 7-14-21 MHZ DIRECT CONVERSION RECEIVER                  | IGOR GRIGOROW              | RK3ZK       | 101 | 6  |
| THE EAGLET 80M RECEIVER                                 | FRANK LEE                  | G3YCC       | 101 | 3  |
| THE QRP2001: AN EXPERIMENTAL DC RECEIVER                | JAN VERDUYN                | G0BBL       | 101 | 19 |
| The ILOVA 2B - SIMPLE TWO BAND RECEIVER                 | MILAN CATARI               | 9A9RA       | 102 | 3  |
| 160M AM RECEIVER  | GEORGE FARE/DUNCAN WALTERS | G3OGQ/G4DFV | 102 | 10 |
| AN INEXPENSIVE FILTER AND I.F. AMPLIFIER                | DAVID STOCKTON             | GM4ZNX      | 102 | 22 |
| CRYSTAL SET   | STEVE ORTMAYER             | G4RAW       | 102 | 32 |
| THE F6CRP RECEIVER                                      | DENIS AUQEBON              | F6CRP       | 103 | 4  |
| LOOP REGENERATIVE RECEIVER                              | OLIVIER ERNST              | F5LVG       | 103 | 12 |
| LF RECEIVE CONVERTER                                    | IAN BUTTERWORTH            | G4BZO       | 103 | 16 |
| INCREASING BANDSPREAD WITH VARACTOR TUNING              | DEREK ALEXANDER            | G4GVM       | 104 | 14 |

|   |                    |        |     |    |
|---|--------------------|--------|-----|----|
| SMID-GEN CW/SSB RECEIVER  | JOHN SMITH         | G4KJJ  | 105 | 3  |
| ON5SJ 40m SUPERHET RECEIVER                                       | JEAN-CLAUDE SATEUR | ON5SJ  | 105 | 15 |
| A STABLE REGEN RECIEVER [WITH CLUB KIT]                           | GEORGE DOBBS       | G3RJV  | 105 | 21 |
| A SINGLE CRYSTAL CW FILTER  | IAN BRAITHWAITE    | G4COL  | 106 | 6  |
| ONER RECEIVE CONVERSION   | OLEG V. BORODIN,   | RV3GM  | 107 | 14 |
| <a href="#">A TUNEABLE CW / SSB FILTER</a> ⓘ                      | DANIELA VIGNUDELLI | IK4NPC | 107 | 25 |
| A HANG AGC CIRCUIT FOR CW RECEPTION                               | ANDREW SMITH       | G4OEP  | 109 | 22 |
| VARIABLE BANDWIDTH CRYSTAL FILTER                                 | TASIC SINISA-TASA  | YU1LM  | 109 | 24 |
| THE WURZEL 20/40/80m REGEN RX                                     | TIM WALFORD        | G3PCJ  | 110 | 8  |
| TWP-TUBE REGENERATIVE RECEIVER FOR LOW VOLTAGE OPERATION          | RUDOLF SEIBERT     | DC8KP  | 111 | 6  |
| THE HIBRYDUS SYNCRODYNE RECEIVER FOR 14MHZ                        | GIANPIETRO GOZZI   | IK2VTU | 111 | 12 |
| THE HEYPHONE  | JOHN HEY           | G3TDZ  | 111 | 21 |
| MY FIRST QRP STATION  | OLEG BORODIN       | RV3GM  | 112 | 4  |
| THE MB7LF 136Khz REMOTE RECEIVER PROJECT                          | STEWART BRYANT     | G3YSX  | 112 | 16 |
| THE SARDINE SUPERGAINER FOR 40M                                   | DUNCAN WALTERS     | G4DFV  | 112 | 21 |
| LAMBDA REGENERATIVE RECEIVER ⓘ                                    | BOZIDAR PASARIC    | 9A2HL  | 113 | 16 |
| A THREE CHIP SUPERHET RECEIVER FOR 80 & 40                        | BILL CURRIE        | VK3AWC | 116 | 10 |
| THE TOFF SIMPLE SUPERHET RECEIVER                                 | KPS KANG           | VU2OWF | 116 | 12 |
| THE SHERBORNE SURPRISE - A SIMPLE SUPERHET RECEIVER FOR 160/80/40 | GARY ANDREWS       | M0CWY  | 117 | 4  |
| THE FORTYHET - A SIMPLE SUPERHET FOR 40M                          | DUNCAN WALTERS     | G4DFV  | 117 | 8  |
| THE "BRUTE FORCE" RECEIVER FOR 160M                               | PAT SMITH          | GW0VMR | 117 | 10 |
| THE CP20 14MHZ CW RECEIVER  | TONY BOWMAKER      | G0EBP  | 117 | 18 |
| THE CERES RECEIVERS   | IAN MACPHERSON     | GM3RXU | 118 | 3  |
| THE "MICRO-SCOPE" 20M DC RX                                       | OLEG V BORODIN     | RV3GM  | 118 | 20 |
| THE MARSH RECEIVER  | GEOFF WOOSTER      | G3YVF  | 119 | 9  |
| AN 0-V-0 RECEIVER   | GERT DE GOOIJER    | PA3CRC | 119 | 10 |
| RECEIVER TO PC AUDIO COUPLER                                      | LAURIE BOOTH       | G4XEC  | 119 | 27 |
|   |                    |        |     |    |
|   |                    |        |     |    |

## Transceiver Topics

| Title                                      | Author         | Callsign | Sprat | Page |
|--|----------------|----------|-------|------|
| 80 m QRP TRANSCEIVER                       | KEITH COATES   | G3IGU    | 3     | 4    |
| ONE TUBE AMATEUR STATION COMPLETE          | C.ROCKEY       | W9SCH    | 7     | 6    |
| 40-20m TRANSCEIVER                         | KEITH COATES   | G3IGU    | 18    | 4    |
| EBOR 3.5 MHZ TRANSCEIVER                   | NORMAN SPIVEY  | G3GWI    | 19    | 15   |
| HF TRANSCEIVER                             | JOHN McDONNELL | G3DOP    | 20    | 5    |
| <a href="#">JU6 7-14 MHZ TRANSCEIVER</a> ⓘ | JOHN McDONNELL | G3DOP    | 20    | 5    |
| CW TRANSCEIVER FOR 20                      | FRANK LEE      | G3YCC    | 21    | 3    |
| MINATURE 40m PORTABLE TRANSCEIVER          | ROY LEWALLEN   | W7EL     | 24    | 7    |
| TUNBRIDGE SSB/CW TRANSCEIVER               | IAN KEYSER     | G3ROO    | 26    | 3    |
| JU6 PLUS                                   | JOHN McDONNELL | G3DOP    | 27    | 10   |
| TMX TRANSCEIVER FOR 10 MHZ                 | THOM DAVIS     | K8IF     | 29    | 5    |
| SNOWSHOE MOUNTAINEER 7 MHZ TRANSCEIVER     | WES HEYWARD    | W7ZOI    | 30    | 12   |
| 10 MHZ TRANSCEIVER                         | KEITH COATES   | G3IGU    | 31    | 11   |
| QRP-4 TRANSCEIVER                          | JOHN SMITH     | SM6DWO   | 31    | 3    |
| SUPER OXO ALL BANDS TRANSCEIVER            | GEORGE BURT    | GM3OXX   | 32    | 12   |
| TOT 20 TRANSCEIVER                         | PETER DOUDERA  | OK1DKW   | 32    | 14   |
| TRANSCEIVER IDEAS                          | GIG DRAGULESCU | YO6HQ    | 32    | 7    |
| 20/20 TRANSCEIVER                          | PETER DODD     | G3LDO    | 33    | 6    |

|  |                  |        |    |    |
|--|------------------|--------|----|----|
| TOT 30 TRANSCEIVER                       | PETER DUODERA    | OK1DKW | 34 | 12 |
| TWINNYSET TRANSCEIVER                    | HA-JO BRANDT     | DJ1ZB  | 34 | 9  |
| FOXX TRANSCEIVER                         | GEORGE BURT      | GM3OXX | 35 | 13 |
| FORCE THREE 7 MHZ TRANSCEIVER            | FINBAR 'O'CONNOR | EIØCF  | 36 | 3  |
| LIAM 10 MHZ TRANSCEIVER                  | HA-JO BRANDT     | DJ1ZB  | 36 | 12 |
| PW DART AS A TRANSCEIVER                 | RON MARSHALL     | G4GIQ  | 40 | 16 |
| ALL WEATHER (NOVELTY) SIGNALLER          | S.GARNER         | G3WSL  | 42 | 17 |
| DC-30-P TRANSCEIVER                      | JOHN BEECH       | G8SEQ  | 42 | 4  |
| TSC MK.I 40m QRP SUITCASE TRANSCEIVER    | MIKE MICHAEL     | W3TS   | 42 | 9  |
| 004 TRANSCEIVER                          | JOHN McDONNEL    | G3DOP  | 43 | 11 |
| MICRON 6 BAND TRANCEIVER KIT             | GEORGE DOBBS     | G3RJV  | 43 | 17 |
| TRANSCEIVER FOR 80m                      | FRANK LEE        | G3YCC  | 43 | 3  |
| 160m DSB TRANSCEIVER                     | DEREK EDMUNDS    | G3MJW  | 44 | 3  |
| RIT FOR THE DSB80 TRANSCEIVER            | ROD YOUNG        | G4MQH  | 44 | 18 |
| TSC MK.II TRANSCEIVER                    | MIKE MICHAEL     | W3TS   | 44 | 8  |
| PHOENIX TRANSCEIVER                      | CARL WOOD        | G4XOG  | 45 | 8  |
| ROCK'S FISHING BOX ⓘ                     | C.ROCKEY         | W9SCH  | 46 | 8  |
| TRANSCEIVER FOR 7/14/21 MHZ              | ARTHUR PARSONS   | G2PS   | 47 | 4  |
| QSK-1 ONE TRANSISTOR TRANSCEIVER         | BOB CULTER       | N7FKI  | 49 | 18 |
| SUPERHET TRANSCEIVER FOR 20m             | NINO PAGLIALONGA | I7ZCZ  | 49 | 13 |
| 50 MHZ ALL MODE TRANSCEIVER              | JOHN BEECH       | G3SEQ  | 50 | 36 |
| 50 MHZ CW/RTTY TRANSCEIVER               | JOHN BEECH       | G3SEQ  | 50 | 36 |
| 50 MHZ D.C. TRANSCEIVER                  | BOB CARTER       | G4VSO  | 50 | 6  |
| ARGONAUT MILLIWATTING AND MICROWATTS     | CHRIS PAGE       | G4BUE  | 50 | 30 |
| THE TOP 40 TRANSCEIVER                   | MIGUEL MOLINA    | EA3FHC | 50 | 10 |
| THE VOXNOR                               | PAUL HARRISON    | G4VAM  | 50 | 21 |
| NOTES ON CENTURY 22 SET UP FOR SPRAT     | COLIN TURNER     | G3VTT  | 51 | 23 |
| 80m TRANSCEIVER                          | MIKE KING        | G3MY   | 53 | 6  |
| BOOTS FOR THE UNICHIP TRANSCEIVER        | MIKE KING        | G3MY   | 53 | 7  |
| THE G3XBM 'PIPIT' 21 MHZ TRANSCEIVER     | ROGER LAPHORN    | G3XBM  | 53 | 12 |
| THE 'IMP' 'ALL BANDS TRANSCEIVER         | NIGEL FLATMAN    | GØEBQ  | 53 | 8  |
| ALPHA 80m. C.W. TRANSCEIVER              |                  | GØFUW  | 54 | 6  |
| BOOTS FOR THE UNICHIP                    | MIKE KING        | G3MY   | 54 | 11 |
| THE UNICHIP                              | MIKE KING        | G3MY   | 54 | 10 |
| NOTES ON THE IMP                         |                  | GØEBQ  | 55 | 5  |
| 14 MHZ TRANSCEIVER                       | MIGUEL MOLINA    | EA3FHC | 56 | 12 |
| I.R.T. REVERSAL                          | GEORGE BURT      | GM3OXX | 58 | 23 |
| 14 MHZ COMPACT TRANSCEIVER               | BILL BINGHAM     | G4WUS  | 59 | 4  |
| LCK UPDATE AND MODIFICATIONS             | IAN KEYSER       | G3ROO  | 61 | 27 |
| THE 70 MHZ SINGLE CHANNEL FM TRANSCEIVER | JOHN BEECH       | G8SEQ  | 61 | 28 |
| A STABLE SSB AND CW IF STRIP             | IAN KEYSER       | G3ROO  | 62 | 29 |
| QRP TRANSCEIVER FOR 40m                  | RICHARD          | WBONQM | 62 | 25 |
| THE SSB TRANSCEIVER PROJECT              | IAN KEYSER       | G3ROO  | 62 | 28 |
| SSB PROJECT RF BOARD                     | IAN KEYSER       | G3ROO  | 64 | 29 |
| BOPP 6 40m TRANSCEIVER                   | MIKE KING        | G3MY   | 65 | 15 |
| CW TRANSCEIVER FOR 7 MHZ                 | FRANK LEE        | G3YCC  | 65 | 4  |
| SSB PROJECT                              | IAN KEYSER       | G3ROO  | 65 | 32 |
| THE KITTEN TWO TRANSCEIVER               | IAN KEYSER       | G3ROO  | 65 | 32 |
| CSP 14 MHZ TRANSCEIVER                   | IAN KEYSER       | G3ROO  | 66 | 21 |
| THE G3ROO CW/SSB PROJECT                 | IAN KEYSER       | G3ROO  | 66 | 24 |
| QRP CW FROM AN SSB TRANSMITTER           | WALTER FARRAR    | G3ESP  | 67 | 5  |
| CSP PA BOARD                             | G3ROO            | G3RJV  | 68 | 25 |
| CONSTRUCTION THE KITTEN II BOARDS        | IAN KEYSER       | G3ROO  | 69 | 27 |
| KITTEN PCB CONNECTION UPDATES            | IAN KEYSER       | G3ROO  | 69 | 27 |
| THE OSTS 40MTR TRANSCEIVER               | SIMON BALDWIN    | GØFRD  | 69 | 14 |
| A TWO BAND TRANSCEIVER                   | IGOR GRIGOROW    | UZ3ZK  | 70 | 14 |
| KITTEN SYNTH                             | IAN KEYSER       | G3ROO  | 70 | 20 |
| KITTEN DIODE SWITCHED RF BOARD           | IAN KEYSER       | G3ROO  | 71 | 21 |



|  |                     |        |    |    |
|--|---------------------|--------|----|----|
| KITTEN SYNTH VARICAP UPDATE                      | IAN KEYSER          | G3ROO  | 71 | 21 |
| TWO BAND TRANSCEIVER SPRAT 70 MODS               |                     |        | 71 | 19 |
| KITTEN II MULTIBAND LOW PASS FILTER              | IAN KEYSER          | G3ROO  | 72 | 22 |
| THE MICRO-80 MINI TRANSCEIVER                    | OLEG BORODIN        | RV3GM  | 72 | 20 |
| A POLYPHASE EXCITER                              | JOHN R. HEY         | G3TDZ  | 73 | 3  |
| A SOLAR POWERED 40M TRANSCEIVER                  | H.C.S SPENCER       | G6NA   | 73 | 6  |
| THE TARS SPECIAL                                 | DERRICK G3LHJ ANDY  | G4VPM  | 73 | 12 |
| ULTIMATE K.I.S.S.                                | CHRIS GARLAND       | G3RJT  | 73 | 4  |
| MULTI-BAND VALVE 10w QSK TRANSCEIVER             | IGOR GRIGOROW       | UZ3ZK  | 74 | 8  |
| MODIFICATIONS TO THE MFJ 9020 TRANSCEIVER        | GEORGES SCHOLTES    | LX1BK  | 75 | 13 |
| THE B1000 TRANSCEIVER                            | IGOR GRIGOROW       | UZ3ZK  | 77 | 12 |
| THE HEART OF THE FROGGY                          | OLEG BORODIN        | RV3GM  | 77 | 18 |
| THE MALTA 40                                     | STEVE HUNT          | G3TXQ  | 78 | 21 |
| THE MFJ-249 HF/VHF SWR ANALYZER - A REVIEW       | GEORGE DOBBS        | G3RJV  | 78 | 26 |
| 7 MHZ QSK QRP CW TRANSCEIVER                     | JAROSLAV BIK        | OK2SBJ | 79 | 14 |
| A VALVE TRANSMITTER AND RECEIVER FOR 80m         | JOHNNY APELL        | SM7UCZ | 79 | 18 |
| THE NORCAL 40 TRANSCEIVER                        | WAYNE BURDICK       | N6KR   | 79 | 3  |
| THE ANV 20SSB/CW TRANSCEIVER                     | SHELDON HANDS       | GW8ELR | 80 | 3  |
| THE B.L.T. 14 MHZ SSB TRANSCEIVER (PART 1)       | BYRON WEAVER        | WU2J   | 80 | 11 |
| THE CUB MULTIBAND CW TRANSCEIVER MK II           | STEVE HUNT          | G3TXQ  | 80 | 21 |
| THE B.L.T. 20/17m SSB EXCITER (PART 2)           | BYRON WEAVER        | WU2J   | 81 | 13 |
| THE EPIPHYTE - SIMPLE QRP SSB TRANSCEIVER        | DERRY SPITTLE       | VE7QK  | 81 | 3  |
| AN 80m CW VALVE TRANSCEIVER                      | IGOR GRIGOW         | RK3ZK  | 82 | 23 |
| T2/R2 QRP SSB TRANSCEIVERS                       | JOHN LIEBENROD      | K7RO   | 82 | 8  |
| THE RAT  | DEREK BUNDEY        | G3JQQ  | 82 | 24 |
| THE GQ-40 CW TRANSCEIVER                         |                     |        | 83 | 4  |
| <a href="#">THE ZL2BMI DSB TRANSCEIVER</a> ⓘ     | ERIC SEARS          | ZL2BMI | 83 | 12 |
| THE DIGIRIG 7mhz TRANSCEIVER                     | K.P.S. KANG         | VU2KLA | 84 | 10 |
| CONVERSION OF LCK FOR 20M                        | DAVID ROWLANDS      | G6UEB  | 85 | 12 |
| EP-2 PORTABLE 75M SSB TRANSCEIVER                | DERRY SPITTLE       | VE7QK  | 85 | 4  |
| THE PA3BHK 80m DSB/CW TRANSCEIVER                | ROBERT VAN DER ZAAL | PA3BHK | 85 | 19 |
| THE ROCK CRUSHER                                 | JOHN HEY            | G3TDZ  | 85 | 14 |
| THE OPTIMISER QSK K.I.S.S. TRANSCEIVER           | TONY BOWMAKER       | GØEBP  | 86 | 6  |
| THE G3TDZ 73kHz RIG                              | JOHN R. HEY         | G3TDZ  | 88 | 3  |
| THE VU MINI-TRANSMITTER (TRANSCEIVER) FOR 20m    | K.P.S. KANG         | VU2KLA | 88 | 12 |
| MY VERSION OF THE PIXIE                          | DOUG DEMAUW         | W1FB   | 89 | 7  |
| 73 KHZ VERY LOW FREQUENCY TRANSMITTER - RECEIVER | JOHN BEECH          | G8SEQ  | 90 | 9  |
| THE ALVA - A SWEDISH PIXIE                       | JOHNNY APELL        | SM7UCZ | 90 | 20 |
| THE GQ2000 CW TRANSCEIVER - PART 1               | SHELDON HANDS       | GW8ELR | 90 | 4  |
| A SIMPLE SSB TRANSCEIVER FOR 18 MHZ              | OLIVIER ERNST       | F5LVG  | 91 | 13 |
| THE FOXX 2 - AN OLD FAVOURITE                    | GEORGE DOBBS        | G3RJV  | 91 | 4  |
| THE GQ2000 CW TRANSCEIVER - PART 2               | SHELDON HANDS       | GW8ELR | 91 | 20 |
| THE REVIVAL [1947 - 1997] TRANSMITTER RECEIVER   | PETER AKKER         | DJ0GD  | 91 | 23 |
| THE GQ2000 CW TRANSCEIVER - PART 3               | SHELDON HANDS       | GW8ELR | 92 | 13 |
| THE GQ2000 CW TRANSCEIVER - PART 4               | SHELDON HANDS       | GW8ELR | 93 | 20 |
| THE MAIDENHEAD PIXIE                             | PETER HOWARD        | G4UMB  | 93 | 8  |
| THE ELBC-40 : A KEYSER CONTROLLED CW TRX         | FRED HEUSY          | DJ3KK  | 94 | 3  |
| THE SUNSET TRANSCEIVER MK2                       | STEVE SPENCER       | G6NA   | 94 | 22 |
| A SIMPLE 21MHZ VXO QRP TRANSCEIVER               | CRAIG DOUGLAS       | G0HDJ  | 95 | 14 |
| THE ELBC-40 : RECEIVER MODULE                    | FRED HEUSY          | DJ3KK  | 95 | 21 |
| THE G3RJV SIX PACK                               | GEORGE DOBBS        | G3RJV  | 96 | 4  |
| THE SPARKFORD 80m CW TRANSCEIVER                 | TIM WALFORD         | G3PCJ  | 96 | 21 |
| PTO DRIVES IN TEN-TEC TRANSCEIVERS               | BRIAN GIBBS         | G3MBN  | 97 | 16 |
| I7PKY PIXIE 2                                    |                     | I7PKY  | 98 | 35 |
| OK2PZL 7/14 MHZ <a href="#">TRANSCEIVER</a> ⓘ    | PETR POKORNY        | OK2PZL | 98 | 4  |
| THE FOXX-3                                       | DEREK ALEXANDER     | G4GVM  | 98 | 14 |
| THE GQ-PLUS - PART 1                             | SHELDON HANDS       | GW8ELR | 98 | 20 |

|  |                   |                  |     |    |
|--|-------------------|------------------|-----|----|
| 160M CROSS TOWN TRANSMITTER                  | ALBERT HEYES      | G3ZHE            | 99  | 4  |
| THE GQ-PLUS - PART 2                         | SHELDON HANDS     | GW8ELR           | 99  | 21 |
| "Naxos" A MINIATURE 20M CW TRANCIEVER        | ANDREAS SEEREINER | OE6EIF           | 104 | 4  |
| NATTERBOX - A CRYSTAL CONTROLLED AM Tx. ⓘ    | DAVE SMITH        | G4COE            | 104 | 18 |
| THE HAMOEBA                                  | DUNCAN WALTERS    | G4DFV            | 105 | 4  |
| The CRACKER – A BASIC CW TX/RX FOR 40M       | RICHARD NEWSTEAD  | G3CWI            | 106 | 3  |
| DAT20, A 20M MINI TX/RX FOR SOUND CARD MODES | SHELDON HANDS     | MW0ELR           | 106 | 21 |
| AN EXPERIMENTAL TRANCEIVER "ET1"             | GLEN YINGLING     | W2UW             | 108 | 20 |
| THE SUPER SIXTY 5MHZ Tx and Rx CONVERTER     | STEVE RAWLINGS    | GW4ALG           | 114 | 3  |
| USING THE ELECRAFT K2 ON 5MHZ – PART 1       | DAVE SERGEANT     | G3YMC            | 114 | 6  |
| THE SMALL WONDER LABS PSK20                  | PETER HALPIN      | PE1MHO/<br>M3ECN | 114 | 14 |
| USING THE ELECRAFT K2 ON 5MHZ – PART 2       | DAVE SERGEANT     | G3YMC            | 115 | 10 |
| FOXX DUAL BAND SPECIAL                       | JIM GAUSON        | MM0CAE           | 115 | 12 |
| A NEW LIFE FOR THE TS-870S                   | ANDREA WEICK      | HB9FBD           | 115 | 24 |
|  |                   |                  |     |    |

## V.H.F. Topics

| Title                                    | Author           | Callsign | Sprat | Page |
|--|------------------|----------|-------|------|
| 2 METRE 3W AM TRANSMITTER                | JOHN DODD        | G8EPE    | 5     | 5    |
| 2 ELEMENT 2 METRE BEAM                   | STAN PERCIVAL    | G3BGR    | 12    | 10   |
| 2 METRE FM TRANSMITTER                   | HA-JO BRANDT     | DJ1ZB    | 24    | 3    |
| 144-14 MHZ CONVERTER - PART I            | DAVID JOHNSON    | G4DHF    | 26    | 12   |
| 144-14 MHz CONVERTER - PART II ⓘ         | DAVID JOHNSON    | G4DHF    | 27    | 5    |
| 3 ELEMENT HB9CV BEAM                     | A.MORGAN         | G8PON    | 29    | 22   |
| 5 ELEMENT QUAD FOR 2 METRES              | JOHN STEVENSON   | G8ZRY    | 32    | 8    |
| 2 METRE POCKET ZEPP ANTENNA              | HERBERT HANRIDER | DL7MAM   | 33    | 4    |
| 50 MHZ FM TRX                            | MIKE SHEFFIELD   | ZL1ABS   | 36    | 20   |
| MINATURE 2m FM TRANSMITTER               | MIKE TOOLEY      | G8CKT    | 36    | 16   |
| 2 METRE PORTABLE ANTENNA                 | JOHN BEECH       | G8SEQ    | 37    | 18   |
| 2 METRE WAVEMETER                        | GEOFF GARDNER    | G6MCZ    | 37    | 17   |
| 2 METRE J ANTENNA                        | D.JENNINGS       | G3ZAI    | 41    | 17   |
| SIMPLE 2 METRE CW/FM TRANSMITTER         | JOHN BEECH       | G8SEQ    | 42    | 22   |
| 2 METRE DC RECEIVER                      | JOHN BEECH       | G8SEQ    | 43    | 24   |
| 2 METRE FET PRE - AMP                    | JOHN BEECH       | G8SEQ    | 44    | 24   |
| 2 METRE PRE - AMP                        | JOHN BEECH       | G8SEQ    | 45    | 24   |
| USING A LINER 2 ON CW                    | ERIC CALVERT     | G4EIC    | 45    | 17   |
| 50 MHZ RX CONVERTER                      | JOHN BEECH       | G8SEQ    | 46    | 20   |
| DUMMY LOAD AND POWER INDICATOR           | JOHN BEECH       | G8SEQ    | 47    | 23   |
| 2 METRE ATU                              | DAVID AKRILL     | GØDJA    | 49    | 23   |
| WHITE ROSE 50 MHZ (6m) CONVERTER PROJECT |                  |          | 53    | 25   |
| XOGGY A 14 MHZ TTX                       | BRIAN HARRIS     | G3XGY    | 53    | 22   |
| ONE WATT VHF TRANSMITTER                 | GORDON POPE      | G3ASV    | 55    | 4    |
| VHF/HF POWER METER                       | HARRY POPOFF     | LZ1BB    | 55    | 26   |
| 50 MHZ TRANSVERTER [WHITE ROSE]          | JOHN BEECH       | G8SEQ    | 57    | 24   |
| FET VFO FOR 70 MHZ                       | JOHN BEECH       | G8SEQ    | 58    | 26   |
| 70 MHZ SINGLE CHANNEL PM TRANSCEIVER     | JOHN BEECH       | G8SEQ    | 60    | 25   |
| 2M AMPLIFIER                             | HARRY POPOV      | LZ1BB    | 62    | 33   |
| SEQUENCE 70 MHZ TCVR ON 2M OR 6M         |                  |          | 63    | 36   |
| VFO STABILISER                           | JOHN BEECH       | G8SEQ    | 66    | 34   |
| SEQUENCE TRANSCEIVER PUSH TO TALK        | JOHN BEECH       | G8SEQ    | 67    | 34   |
| DOUBLE QUAD FOR 1.3 & 2..3 GHz           | JOHN BEECH       | G8SEQ    | 76    | 36   |
| 2 METER ATU                              |                  |          | 77    | 36   |
| BI-DIRECTIONAL AMPLIFIER                 |                  |          | 79    | 34   |
| 6m TO 2m TRANSVERTER                     | JOHN BEECH       | G8SEQ    | 85    | 34   |

|                            |                |       |     |    |
|----------------------------|----------------|-------|-----|----|
| PL259's AT VHF             | PETER CHADWICK | G3RZP | 85  | 10 |
| LINEAR POWER MIXERS AT SHF |                |       | 88  | 34 |
| LINEAR POWER MIXERS AT SHF |                |       | 89  | 33 |
| A VHF ABSORPTION WAVEMETER | HARRY FROGGATT | G3SOX | 90  | 19 |
| THE EPIPHYTE-3             | DERRY SPITTLE  | VE7QK | 107 | 21 |
|                            |                |       |     |    |

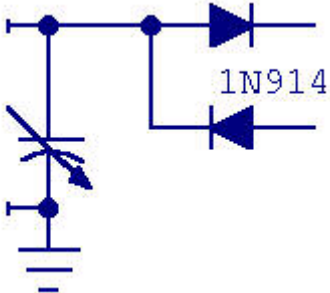
## Transmitter Topics

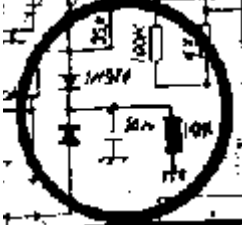
| Title   | Author            | Callsign | Sprat | Page |
|---|-------------------|----------|-------|------|
| DSB1 - DOUBLE SIDEBAND TRANSMITTER                | E.ELSLEY          | G3YUQ    | 4     | 3    |
| <a href="#">PROLEGOMENA TO QRP TRANSMITTERS</a> ⓘ | C.ROCKEY          | W9SCH    | 4     | 9    |
| TRANSISTOR 1 160m TRANSMITTER                     | E.ELSLEY          | G3YUQ    | 5     | 15   |
| ROARIN MICK 80m TRANSMITTER                       | C.ROCKEY          | W9SCH    | 6     | 15   |
| DAILY TELEGRAF QRP CW TRANSMITTER                 | SEIGI HARI        | DK9FN    | 8     | 8    |
| SSB 80 TRANSMITTER                                | E.ELSLEY          | G3YUQ    | 9     | 3    |
| TTL TRANSMITTERS                                  | JOHN McDONNELL    | G3DOP    | 10    | 10   |
| A WATT PLUS ON 160                                | C.CARINGELLA      |          | 11    | 10   |
| 6K8 QRP TRANSMITTER                               | DUG WOODFORD      | G8IB     | 12    | 10   |
| MODS TO THE G3ZVC TRANSMITTER                     | IAN KEYSER        | G3ROO    | 12    | 8    |
| JUBILEE 80 SSB/CW TRANSMITTER                     | ART SMYTH         | GM3XNE   | 14    | 7    |
| MALIN HEAD TTX                                    | FINBAR O'CONNOR   | EIOCF    | 16    | 6    |
| ONE KNOB 80m TTX                                  | HAROLD SMITH      | G3IVF    | 17    | 7    |
| 80 -160m TRANSVERTER                              | IAN KEYSER        | G3ROO    | 19    | 13   |
| PROLEGOMENA TO QRP TRANSMITTERS                   | C.ROCKEY          | W9SCH    | 22    | 3    |
| LAGOS QRPETER                                     | HA-JO BRANDT      | DJ1ZB    | 23    | 3    |
| MINI TENER DSB TRANSMITTER FOR 10m                | ART SMYTH         | GM3XNE   | 23    | 12   |
| FULL BK TOP BAND TRANSMITTER                      | IAN KEYSER        | G3ROO    | 25    | 6    |
| MAC MODED SUPER OXO TRANSMITTER                   |                   |          | 25    | 20   |
| CLASS A AMPLIFIER FOR THE TUNBRIDGE               | IAN KEYSER        | G3ROO    | 27    | 12   |
| 10m VXO TRANSMITTER                               | BENELUX QRP CLUB  |          | 28    | 9    |
| 160m MAIN STATION TRANSMITTER                     | ROY ROWNTREE      | G3ZQA    | 28    | 3    |
| BREN 160m DSB/CW TRANSMITTER                      | COLIN TURNER      | G3VTT    | 28    | 7    |
| OXO ALL BANDS TRANSMITTER                         | GEORGE BURT       | GM3OXX   | 28    | 12   |
| 80m TRANSMITTER BASED ON THE JU6                  | PETER BRENT       | G4LEG    | 29    | 15   |
| SINGLE VALVE 80m QRP CW TRANSMITTER               | BRIAN BOOTH       | G3SYC    | 29    | 3    |
| SANTISTA TRANSMITTER                              | PAULO MOSER       | PY2TU    | 30    | 7    |
| 10 MHZ VXO TRANSMITTER                            | HA-JO BRANDT      | DJ1ZB    | 31    | 9    |
| BASIC VXO FOR 3.5 MHZ                             | AL SANTUCCI       | IOSKK    | 32    | 11   |
| 18/24 MHZ VERSION OF THE LAGOS QRPETER            | HA-JO BRANDT      | DJ1ZB    | 33    | 8    |
| 40m TTL QRP TRANSMITTER                           | JOSEPH LAURICELLA | KL7JHM   | 33    | 15   |
| WEE RIG   | GEORGE BURT       | GM3OXX   | 33    | 4    |
| PHOENIX CW QRP TRANSMITTER                        |                   | PAØFKP   | 34    | 14   |
| REVERSE HYBRID 40m QRP TRANSMITTER                | MAC McNEIL        | G3FCK    | 35    | 15   |
| STX TRANSMITTER                                   | GEORGE BURT       | GM3OXX   | 35    | 12   |
| <a href="#">GRILO 3 BANDS TRANSMITTER</a> ⓘ       | CARLOS            | PY2FNE   | 38    | 8    |
| VINTAGE VALVE TRANSMITTERS                        | ALAN LAKE         | G4DVW    | 39    | 11   |
| 40m MINI TTX TRANSMITTER                          | LEONARDO BOSELLI  | I5WOU    | 40    | 15   |
| NOR'S 20m TRANSMITTER                             | NOR McINTISH      | GM3RKO   | 40    | 18   |
| 2 BAMNDS CW QRP TRANSMITTER                       | DREW DIAMOND      | VK3XU    | 41    | 10   |
| PICCOLINO TRANSMITTER                             | HA-JO BRANDT      | DJ1ZB    | 42    | 7    |
| 80m VMOS TRANSMITTER                              | PAUL HARRISON     | G4VAM    | 43    | 18   |
| ONE VALUE 3 BANDS QRP TRANSMITTER                 | H.ACOMB           | GM4CCV   | 44    | 10   |
| FAG BOX (0) TRANSMITTER                           | CHRIS PAGE        | G4BUE    | 45    | 11   |
| ONER TRANSMITTER                                  | GEORGE BURT       | GM3OXX   | 45    | 4    |
| HOWES CTX80 KIT                                   | COLIN TURNER      | G3VTT    | 47    | 18   |

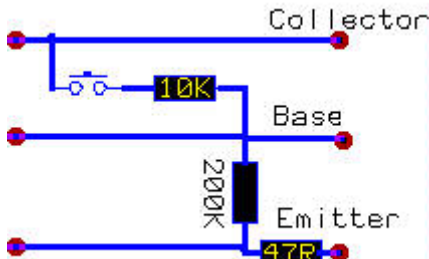
|   |                   |        |    |    |
|---|-------------------|--------|----|----|
| QRP 2 WATT TRANSMITTER ⓘ                      | R.MACKRELL        | G3AEP  | 48 | 17 |
| SSB TRANSMITTER FOR 14 MHZ                    | FRANK LEE         | G3YCC  | 48 | 3  |
| 160m TRANSMITTER                              | PAUL HARRISON     | G4VAM  | 49 | 6  |
| 80m TRANSMITTER                               | GORDON POPE       | G3ASV  | 49 | 16 |
| THE DSB-1 ONE WATT 80MTR DSB TX               |                   | VE7QK  | 50 | 3  |
| PANN, SMLL TRANSISTORS FOR QRP RF POWER       | DOUG DEMAUW       | W1FB   | 51 | 11 |
| PHOTO & FOIL PATERN QRP80                     |                   |        | 51 | 15 |
| QRP TTL TRANSMITTERS                          |                   | DL1ZB  | 51 | 8  |
| THE QRP 80 - A3.5 MHZ 2.5 WATTS CW TX         |                   |        | 51 | 13 |
| A VXO DESIGN FOR 10 AND 14 MHZ                | KEN MAXTED        | GM4JMU | 52 | 16 |
| PACKING THE UNIVERSAL TRANSMITTER ⓘ           | CYRIL MAY         | G4PUU  | 52 | 14 |
| 10 MHZ, 1.5 WTT OUTPUT TRANSMITTER            |                   | ON4KAR | 55 | 15 |
| 80m 1W TX 3.5 - 3.7 MHZ                       | CRAIG DOUGLASS    | GØHDJ  | 55 | 12 |
| CAR BOOT SALE SPECIAL                         | PAUL HARRISON     | G4VAM  | 55 | 11 |
| TTL TRANSMITTER FOR 80 METRES                 | DEREK SCHOFIELD   | G4UOV  | 55 | 17 |
| OXO BOTTLE BOOSTER                            | PAUL HARRISON     | G4VAM  | 56 | 16 |
| THE THREEFOR TRANSMITTER                      | PAUL MONEY        | G4UVA  | 56 | 15 |
| ALL BAND VXO TRANSMITTER                      | JOHN T COLLINS    | KN1H   | 58 | 9  |
| BROADBAND AMPLIFIER                           | W.J.RICKETT       | G8LOO  | 59 | 21 |
| OXO TX  | GEORGE BURT       | GM3OXX | 59 | 7  |
| 40 METRE TRANSMITTER                          | PAUL HARRISON     | G4VAM  | 60 | 19 |
| PIPPIN QRP TX                                 | MIKE KING         | G3MY   | 60 | 14 |
| USEFUL HINT FOPR VMOS. PA STAGES              | MIKE KING         | G3MY   | 60 | 19 |
| VANDALS VALVE TX                              |                   | GM4BQA | 61 | 16 |
| 40m SSB GENERATOR                             | TONY EDWARDS      | G3HNP  | 62 | 4  |
| THE G4RAW TAG TRANSMITTER                     |                   | G4RAW  | 62 | 13 |
| 28 MHZ QRP TRANSMITTER                        | DAMIR SIMUNIC     | YU2RK  | 63 | 7  |
| 40m VARICAP DIODE VFO                         | BILL BINGHAM      | G4WUS  | 63 | 14 |
| 10 MHZ TAG TRANSMITTER                        | STEVE ORTMAYER    | G4RAW  | 64 | 19 |
| FO TRANSMITTERS                               | HA-JO BRANDT      | DJ1ZB  | 64 | 7  |
| SIMPLE 40m ONER TRANSCEIVER                   | OLEG BORODIN      | RV3GM  | 64 | 12 |
| TOP BAND CW TRANSMITTER                       | TONY EDWARDS      | G3HNP  | 64 | 15 |
| HUFF AND PUFF AUTO START                      | STEF MIEWIADOMSKI |        | 66 | 18 |
| KITTEN TWO SSB AND CW FILTER                  | IAN KEYSER        | G3ROO  | 66 | 20 |
| PEBBLE CRUSHER 2                              | DOUG DEMAUW       | W1FB   | 66 | 10 |
| THE WHITE ROSE TRANSMITTER                    | JOHN R HEY        | G3TDZ  | 66 | 3  |
| COMPUTER BOARD 80m TRANSMITTER                | STEVE ORTEMAYER   | G4RAW  | 67 | 3  |
| QRP LINEAR                                    | BILL MOONEY       | G3VZU  | 67 | 12 |
| VALVE DC RECEIVER FOR 3.5 MHZ BAND            | B.A. BUTCHER      | GØILL  | 67 | 9  |
| CONSTANT LEVEL RF AMPLIFIER                   | MIKE HADLEY       | G4TTX  | 68 | 5  |
| FURTHER NOTES ON VFO STABILITY                | DAVE BENSON       | NNIG   | 68 | 6  |
| THE FINGER TX. A FUN RIG                      | GEORGE BURT       | GM3OXX | 69 | 3  |
| THE LZ1SM VXO TRANSMITTER                     | ANGEL             | LZ1SM  | 70 | 8  |
| THE K4TWJ QRP PEN TRANSMITTER                 | DAVE INGRAM       | K4TWJ  | 71 | 14 |
| THE NAT TRANSMITTER ⓘ                         | GEORGE BURT       | GM3OXX | 71 | 11 |
| THE NAT TX SPRAT 71 CIRCUIT ERROR             |                   |        | 72 | 16 |
| THE PHOENIX TRANSMITTER                       | D.A. MICHAEL      | W3TS   | 72 | 4  |
| CHATTERBOX 160m A M TRANSMITTER MODIFICATIONS | LES JACKSON       | G4HZJ  | 74 | 19 |
| HANDS TX1 TRANSMITTER                         | SHELDON HANDS     |        | 75 | 20 |
| W6EMT 30M VXO TRANSMITTER                     | ROY GREGSON       | W6EMT  | 78 | 4  |
| THE SUNNY 40m TRANSMITTER                     | COOK              | G4XHE  | 79 | 20 |
| ST31 14 MHZ 10w CW TRANSMITTER                | ANDRE MASSLEYE    | F5JDG  | 80 | 14 |
| A 30m QRP CW TRANSMITTER                      | A W McNEILL       | G3FCK  | 82 | 27 |
| A MONGREL MODIFIED FOR PI-NETWORK OUTPUT      | A W McNEILL       | G3FCK  | 82 | 7  |
| TEN MINUTE TRANSMITTER                        | STEVE ORTMAYER    | G4RAW  | 82 | 36 |
| THE GREMLIN 20m CW TRANSMITTER                | DOUG GIBSON       | G4RGN  | 82 | 3  |
| THE KLAT 40m TRANSMITTER                      | KERAL L           | VU2KLA | 82 | 17 |
| THE MONGREL QRP CW TRANSMITTER                | KEITH RANGER      | GØKJK  | 82 | 6  |

|  |                   |            |     |    |
|--|-------------------|------------|-----|----|
| G3BMO ONE VALVE TRANSMITTER                              | BERT SPEED        | G3BMO      | 83  | 25 |
| THE POPPET QRP AM TOP BAND TRANSMITTER                   | DOUG GIBSON       | G4RGN      | 84  | 4  |
| THE FROTH 10 MHZ 1 WATT TRANSMITTER                      | OWEN DAVIES       | G4VPF      | 86  | 21 |
| SIMPLE COMMON PARTS 80m TRANSMITTER                      | T.K. MANI         | VU2ITI     | 87  | 24 |
| THE NORWICH TRANSMITTER                                  | BRUCE EDWARDS     | G3WCE      | 88  | 16 |
| THE NORWICH TRANSMITTER UPDATES                          | BRUCE EDWARDS     | G3WCE      | 89  | 14 |
| THE SEASIDER 2 METRE CW TRANSMITTER                      | BILL COOPER       | G4CIA      | 92  | 17 |
| A VALVE TRANSMITTER FOR 80 AND 40 METRES                 | TONY TUIITE       | GW0NSR     | 94  | 24 |
| TINY TOP 160M TX   | STEVE ORTMAYER    | G4RAW      | 96  | 34 |
| 18MHZ WIDE RANGE CRYSTAL TRANSMITTER                     | A.W. McNEILL      | G3FCK      | 97  | 20 |
| THE JBS TRANSMITTER                                      | GEORGE BURT       | GM3OXX     | 97  | 3  |
| 70 MHz BEACON TX.  | JOHN BEECH        | G8SEQ      | 102 | 34 |
| THE HB9BWWY TRANSMITTER                                  | NORBURT LITZ      | HB9BWWY    | 103 | 24 |
| MIGHTY MITE  |                   | W3FQJ/KY8I | 105 | 35 |
| THE DL93 TRANSMITTER                                     | JOHNNY APELL      | SM7UCZ     | 106 | 12 |
| THE MARATHON 136 kHz QRP TRANSMITTER                     | STEVE RAWLINGS    | GW4ALG     | 108 | 12 |
| VK7LF's 160m QRP TRANSMITTER                             | TOM VAN ANDEL     | VK7LF      | 108 | 26 |
| A WATT ON 10 METRES – A SIMPLE RIG                       | REV KEITH RANGER  | G0KJK      | 111 | 7  |
| A SIMPLE CW TRANSMITTER                                  | MILAN CATARI      | 9A9RA      | 112 | 8  |
| THE FRESCO TRANSMITTER                                   | KPS KANG          | VU2OWF     | 112 | 12 |
| THE PP2 TRANSMITTER ⓘ                                    | GEORGE BURT       | GM3OXX     | 112 | 18 |
| OUR VERY OWN QRP BEACON                                  | VICTOR BRAND      | G3JNB      | 112 | 25 |
| A SIMPLE MODULAR DSB TX                                  | JACK PONTON       | GM0RWU     | 113 | 10 |
| 12BH7A PULL-PULL TRANSMITTER FOR 30/40m                  | HEHIKO KOMACHI    | JA9MAT     | 114 | 12 |
| THE MARV-1 TRANSMITTER                                   | GEORGE BURT       | GM3OXX     | 115 | 5  |
| QRP LINEAR AMPLIFIER USING CHEAP TRANSISTORS             | HEHIKO KOMACHI    | JA9MAT     | 115 | 19 |
| THE G3SYC BATTERY VALVE TRANSMITTER                      | BRIAN BOOTH       | G3SYC      | 116 | 7  |
| 17 METRES QRP CW TRANSMITTER                             | LEON HELLER       | G1HSM      | 116 | 18 |
| THE SIX SOCKETS GEM                                      | ARNIE CORO        | CO2KK      | 117 | 14 |
| A 3.5MHZ QRP TRANSMITTER WITH LINEAR AMPLIFIER           | JOHNNY ASPELL     | SM7UCZ     | 118 | 10 |
| COMPLIMENTARY PAIR PUSH-PULL RF POWER AMPLIFIER          | STEF NIEWIADOMSKI |            | 118 | 12 |
| DIRECT CONVERSION WITH LED PRODUCT DETECTOR              | RUDI BURSE        | DK2RS      | 118 | 15 |
|  |                   |            |     |    |
| VIKING-500 POCKET (CW) TRANSMITTER FOR 10MHZ             | REYNOLD-A. KUNG   | HB9CKR     | 118 | 22 |
| THE MARSH TRANSMITTER                                    | GEOFF WOOSTER     | G3YVF      | 119 | 6  |
| THE LAMBDAETTE – TRANSFORMERLESS AM QRP 160M TRANSMITTER | IAN LISTON-SMITH  | G4JQT      | 119 | 19 |
|  |                   |            |     |    |

# SPRAT Errata Database.

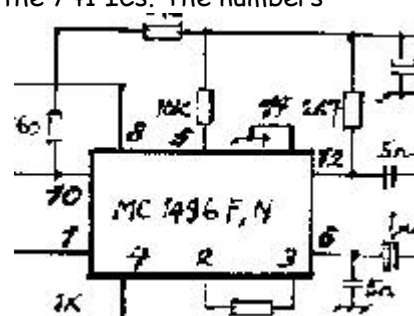
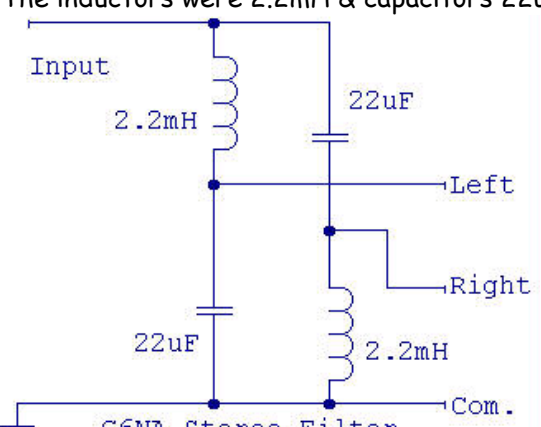
|  |  |
|--|--|
| <p>SPRAT 1 (no date on cover)</p> <p>G2FWA product detector:</p>                   |  <p>D2 was shown the wrong way round. It should look like this:</p>  |
| <p>SPRAT 4 - Autumn 1975</p> <p>W9SCH QRP transmitter circuit, top of page 12.</p> | <p>The emitter resistor should be 1K.</p> <p>G3YUQ DSB1: The legends 160 - 80 on the buffer anode coil &amp; switch should be reversed, i.e to include the 300pF on the 160 position. Mod from G8PG add 0.01uF between aerial connection on PCB and aerial terminal to avoid possible shorts to battery.</p> |
| <p>SPRAT 11/12 - December 1977</p> <p>G3PLB ATU:</p>                               | <p>The IN plug is shown shorted to earth, and S1C is wrong. The ANT should go to the moving contact. Contacts 1 &amp; 3 should be connected together, then connected to the aerial end of L1, and contact 2 should be joined to contact 2 on S1B.</p>  |
| <p>SPRAT 20 - Autumn 1979</p> <p>JU-6 circuit (page 5),</p>                        | <p>The capacitor (0.01uF) at L2A should not be tapped to that coil, but connected between the 12v end (86ohm res.) and earth.</p>  |
| <p>SPRAT 27 - Summer 1981</p> <p>G4DFH 144 - 14Mhz converter</p>                   | <p>VR2 should be 4.7K. The inductance above L11 is an RFC as RFC 1 to 5.</p> <p>G3ZQA Kite transmitter. The + connection should be made to both outside contacts of the pole connected to the oscillator.</p>  |
| <p>SPRAT 28 - Autumn 1981</p> <p>GM3OXX Transverter.</p>                           | <p>The transmit mixer may appear to have the G2 of the dual gate Mosfet joined to the source resistor. This should be a "hump" rather than a "dot".</p>  |

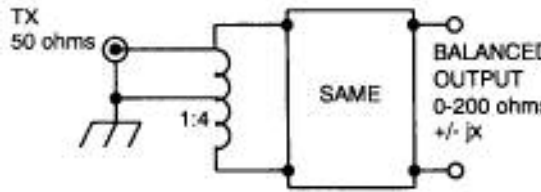
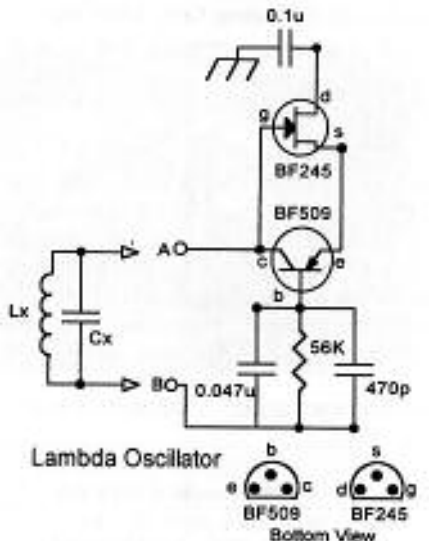
|  |  |
|--|--|
| <p>SPRAT 34 - Spring 1983</p> <p>Page 3.</p>                     | <p>The driver of the transmit circuit (2N3053) shows a ground connection from the top of one section of the 10t bifilar coil. This should be via a decoupling capacitor of 0.1uF</p>   |
| <p>SPRAT 35 - Summer 1983</p> <p>10 MHz transverter (page.7)</p> | <p>Point "B" goes to the 2N3053 input at 0.01uF</p>  |
| <p>SPRAT 35 - Summer 1983</p> <p>Altern Rx circuit</p>           | <p>(p.8) Top coupling (say @ 10pF) required between the two sections of the input tuned circuits (across top of the two 22pF capacitors).</p>  |
| <p>SPRAT 38 - Spring 1984</p> <p>GRILO valve transmitter.</p>    | <p>We advise readers not to build it in it's current form. There are several errors in the article.</p>  |
| <p>SPRAT 38 - Spring 1984</p> <p>DF45G - Premix VFO.</p>         | <p>The author advises that for better operation, another 1N914 and 10k resistor (as shown) should be added to ensure the xtal is off when in 10Mhz mode</p>                                 |
| <p>SPRAT 45 - Winter 1985</p> <p>160m Transverter</p>            | <p>In the third paragraph, 500uA should read "500mA". In the last paragraph, 100uF should read 1000uF. There were two omissions from the circuit; The cap. coupling the RF amp to the mixer is 1nF, and the fixed cap. across L2 is 180pF.</p>                                 |
| <p>SPRAT 46 - Spring 1986</p> <p>Fishin' box rig</p>             | <p>The resistor between the intermediate buffer and the second buffer is 4.7k Increasing the gate resistor in the Rx detector to 2M improves sensitivity by 6dB Lifting the gate lead off the tap, and onto the hot end of tuned circuit also improves signal strength.</p>    |
| <p>SPRAT 47 - Summer 1986</p> <p>Pocket Rx:</p>                  | <p>There should be joint at the junction of the 22K res. and the 10nF cap. above the base of the BF115. The emitter of the BC337 is shown the wrong way round, it should go to the top (junc. of 47uF and 220R The tapping for L2 should be about midpoint in the winding.</p> |
| <p>SPRAT 48 - Autumn 1986</p> <p>Page 17, para 4 reads:</p>      | <p>"A 2N3504 or BFY51 gives more drive &amp; power" It should read a "2N3504 gives more drive &amp; power, but a BFY50,51 or 52 can also be used".</p>   |

|   |  |
|---|--|
| <p>SPRAT 48 - Autumn 1986</p> <p>Rock's test box.</p>         | <p>The transistor tester section, resistors should be shown as here:-</p>  |
| <p>SPRAT 49 - Winter 1986</p> <p>G3LDO - Page 14</p>          | <p>table 1 should read: a &amp; B=3350/f, C=2370/f, D=700/f, E=1336/f. The table is correct in the original article (SPRAT 30, page 10).</p>                 |
| <p>SPRAT 49 - Winter 1986</p> <p>The Tenor Rx: - Page 9</p>   | <p>The lower winding of T1 should be centre tapped to earth for D1 and D2 to function.</p>   |
| <p>SPRAT 52 - Autumn 1987</p> <p>Universal Tx circuit:</p>    | <p>Link between top of L1 &amp; 12v rail should not be present (it shorts the 220R res.) The PC board is correct.</p>  |
| <p>SPRAT 52 - Autumn 1987</p> <p>GM4JMU Hilltopper:</p>       | <p>A better choice of trimmer would be 7-65pF</p>  |
| <p>SPRAT 52 - Autumn 1987</p> <p>G3FCK 80m PA:</p>            | <p>A 120pF fixed cap. should be shown between the output and the junc. of the two 100pF capacitors and the coil.</p>   |
| <p>SPRAT 63 - Summer 1990</p> <p>Huff &amp; Puff circuit.</p> | <p>IC2 Pins 2 &amp; 10 should be tied to +5v as for pin 16</p>   |
| <p>SPRAT 66 - Winter 1991</p> <p>IC735 Mods.</p>              | <p>Line 11 ... running frequency (not trimming frequency) "Component X" is 22uF, not mF.</p>   |
| <p>SPRAT 69 - Winter 1991</p> <p>FE1MOG Keyer.</p>            | <p>Pins 4,7 &amp; 8 on IC2 are shown earthed - it should also show pins 9 &amp; 12 to earth.</p>   |



|   |  |
|---|--|
| <p><a href="#">SPRAT 69 - Winter 1991</a></p> <p>G7BCJ Phasing Rx.</p>                    | <p>The base resistor of the 2N2222 should be 220k and should be connected to +5v, not +12v. Sideband select switch, the top L.H. 10k should be joined to the drain of the top 2N3819, not the source. On A.F. amp add +volts at pin 6, ground pins 2&amp;4 LM386</p>   |
| <p><a href="#">SPRAT 71 - Summer 1992</a></p> <p>The NAT Tx.</p>                          | <p>The power supply to the VN66 devices goes to a centre tap on the coil L1, not L2. Also there is a dot placed on the junction of the gate of the bottom VN66 and the source-ground lead - there is no connection there.</p>  |
| <p><a href="#">SPRAT 72 - Autumn 1992</a></p> <p>Hertzverter builders</p>                 | <p>Note error in pin numbering of NE602.</p>   |
| <p><a href="#">SPRAT 72 - Autumn 1992</a></p> <p>Page 21 - Meter Internal Resistance.</p> | <p>Set RVI such that the meter is around full scale on some convenient calibration mark then connect resistors or a variable across the meter until it indicates exactly half the initial setting. There are then equal currents in the meter and the resistance across it as the same voltage is across both the external resistance [R1] and the meter resistance are of the same value.</p> |
| <p><a href="#">SPRAT 79 - Summer 1994</a></p> <p>VK2AW Minicom receiver.</p>              | <p>There should be a connection from the 5v rail to pin 4 on the MC3357. The 100R &amp; 0.01uF on the RHS, can be deleted. See also Sprat 81 page 22.</p>  |
| <p><a href="#">SPRAT 85 - Winter 1995</a></p> <p>Epiphyte-2</p>                           | <p>Numerous errors, too long to document here. See SPRAT 88 page 22.</p>   |
| <p><a href="#">SPRAT 87 - Summer 1996</a></p> <p>A Spectrum Wavemeter - G4WIF</p>         | <p>D3 should be OA91. In the circuit the line between R6/R7, and C5/C6, are not joined. C9 was changed to 270pF (better response) and R11 was removed, but still listed.</p>   |
| <p><a href="#">SPRAT 90 - Spring 1997</a></p> <p>G3SEQ 73kHz Tx/Rx:</p>                   | <p>It has been found that the band pass filters in the TX (&amp; probably Rx) suffer from instability. Fit 10nF - 100nF capacitors to pin 3 of the IC's to cure. Also feedback cap. in the low-pass filter should be reduced from 100nF to 10nF.</p>   |
| <p><a href="#">SPRAT 93 - Winter 1997</a></p> <p>G3MFJ "adding CW to the EP2".</p>        | <p>There is a 1nF capacitor missing between pin 3 of the 741 and the earth rail.</p>   |

|  |  |
|--|--|
| <p>SPRAT 94 - Spring 1998</p> <p>CORRECTIONS TO THE BANDBREAKER RECEIVER</p> | <p>Figure 3. The VFO - The 100n capacitor shown in the gate of the MPF102 should be omitted (it appears between the 100K resistor and the 1N914 diode on the original drawing).</p> <p>Figure 2 had the pin numbers missing from the MC1496 and the 741 ICs. The numbers are as shown.</p>   |
| <p>SPRAT 95 - Summer 1998</p> <p>On page 13 G6NA Stereo filter.</p>          | <p>the component values were incorrectly shown. The inductors were 2.2mH &amp; capacitors 22uF.</p>   |
| <p>Sprat 98 Page 5<br/>OK2PZL Tx/Rx</p>                                      | <p>There was a section missing from the circuit. This is downloadable from the club website or obtainable as a SPRAT reprint.</p>  |
| <p>SPRAT 104 - Autumn 2000 - page 20<br/>Natterbox.</p>                      | <ol style="list-style-type: none"> <li>1. The RF PA input stage, there should be a link between the zener diode anode and the 27 ohm resistor leading to the bias adjustment.</li> <li>2. The T4 requires a link and a 0.1uF is required above T5</li> <li>3. The PTT changeover switching (page 23), the bottom end base resistor is shown as 3.6Kohm poses no real problems in performance, a 4.7Kohm was used, and is a common value (the range 2K2 to 10K should work).</li> </ol> |
| <p>SPRAT 105 - Page 26.</p>  | <p>The wire sizes for the coils were given in cm and not mm. See SPRAT 107 page 29 for further information.</p>  |

|   |   |
|---|---|
| <p>SPRAT 107 - Page 25</p>  | <p>Modification by DF1GN.<br/>         Norbert noticed some problems with oscillation if varying the frequency over 450Hz. The supply current was rising, raising the voltage at R9 (1K) so the voltage at R4/5 decreased. Norbert solved this by changing R9 to a 78L09 regulator.</p>   |
| <p>SPRAT 108 - page 19<br/>         L - type ATU SPRAT 108 TX</p>   |  <p>Unfortunately, the top left drawing on 50 ohms is wrong. In order to have a balanced output (with reference to the SAME TX ground) the TX coax shall be connected with the screen to the middle of the balun and the centre conductor to one side of the balun.<br/>         The text is OK. (Jesper, OZ1XB).</p> |
| <p>SPRAT 109 - page 6<br/>         The frequency finder.</p>  | <ol style="list-style-type: none"> <li>1. The frequency finder should be powered from 6 volts regulated supply.</li> <li>2. Paragraph 6 "wound" should read "sound".</li> <li>3. Paragraph 7 second last sentence "Inductance is now 253 (freq squared)" should read "Inductance is now 253/(Freq squared)".</li> </ol>   |
| <p>SPRAT 109 - page 3<br/>         HF Selective micro voltmeter</p>   | <p>The author 9A9RA has pointed out an error in the input attenuator. The sections have not been joined in the diagram.</p>   |
| <p>SPRAT 111 - page 4<br/>         Lambda Oscillator</p> <p>The error is that the connection "A" should be to the collector of the BF509 rather than the base as shown. Also, more obviously, there should be a chassis symbol on to the bottom line.</p> |  <p>Lambda Oscillator</p> <p>Bottom View</p>  |

|  |  |
|--|--|
| <p>SPRAT 111 - page 4<br/>QRP Zero beat indicator</p>  | <p>C1 is 0.15uF as correctly shown in the diagram - not 15nF as shown in the component list.</p>   |
| <p>SPRAT 112 - PAGE 9<br/>PP2 Transmitter</p>  | <p>There should be a 2.5mH choke from each of the grids on the acorn valves to ground.</p>   |
| <p>SPRAT 114 - PAGE 16<br/>VXO conversion for the 20m MFJ Cub</p>  | <p>C9 is removed from the Cub. I used its pads to mount components. (I had to check the circuit and double-check by removing the cover.) Sorry for not making this clear. Something that came to light recently on my 30 metre Cub with Ken's mod [SPRAT 112], was a VHF oscillation. This was quite hard to detect, but manifested itself by the tuning not being completely smooth, having one or two glitches. A small ferrite bead (FX1115 or similar) on one leg of the crystal cured it, and all's well. The '612 can operate at hundreds of MHz so it's not too surprising. I fitted the bead to my 20 metre Cub as well. - Ian Braithwaite G4COL</p> |
| <p>SPRAT 113 page 16<br/>Lambda Regenerative Receiver<br/>9A2HL has informed me of two errors in the diagram. The left side of P2 must go to ground and the bottom of LI must go directly to the left side of S-1. The drawing shows the corrected section of the circuit diagram.</p> |  |
| <p>SPRAT 83<br/>ZL2BMI PA<br/><br/>An appendix to the article.</p>   | <p>RFC2/3 = 10t through ferrite bead.<br/>RFC4 = 2 1/4t through 6 hole bead [approx. 15uH]<br/>TR5 = BC338 or sim<br/>TR6 = BD139</p>  |